

卡固電設
KAKU Electric Equipment

卡固電設

卡固電設

卡固電設

卡固電設

卡固電設
KAKU Electric Equipment

KAKU

2015

卡固電設
KAKU Electric Equipment

卡固電設

KAKU Electric Equipment

改造自動控制系統的世紀先驅

KAKU KAKU.

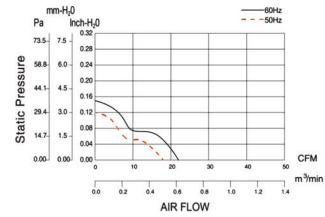
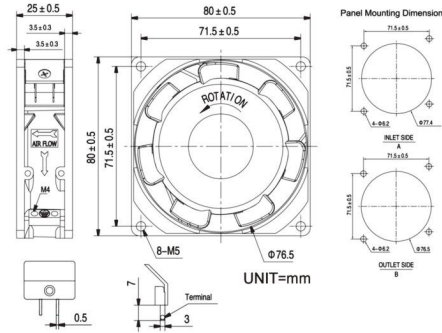
KAKU

PART-1.1

AC FANS 交流軸流風機系列

KA8025/PC SERIES

80×80×25mm



型號 Model	Part No. Terminal Leadwire	軸承類別 Bearing System	電壓 Rated Voltage(V)	頻率 Freq (Hz)	電流 Current (A)	功率 Input Power(W)	轉速 Speed (rpm)	風量 Air Flow (CFM)	靜壓 Static Pressure (inch-H ₂ O)	噪音值 Noise Level(dB-A)	重量 Weight (g)
KA8025HA1-2/PC	8025HA1BMT(L)	Ball	110/120	50/60	0.14/0.13	20/18	2700/3200	18/22	0.12/0.15	30/32	210
KA8025HA2-2/PC	8025HA2BMT(L)	Ball	220/240	50/60	0.10/0.08	20/18	2700/3200	18/22	0.12/0.15	30/32	210
KA8025HA1-2/PC	8025HA1SMT(L)	Sleeve(Best)	110/120	50/60	0.14/0.13	20/18	2700/3200	18/22	0.12/0.15	30/32	210
KA8025HA2-2/PC	8025HA2SMT(L)	Sleeve(Best)	220/240	50/60	0.10/0.08	20/18	2700/3200	18/22	0.12/0.15	30/32	210

KA8025/PC SERIES

01

KAKU

最新數據資訊，請于網上查詢！Please check our website in case any update information. www.shkaku.com

AC FANS 交流軸流風機系列

PART-1.1

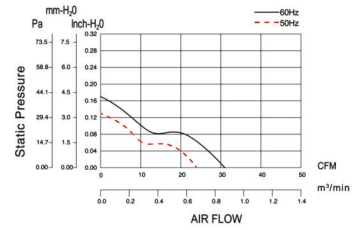
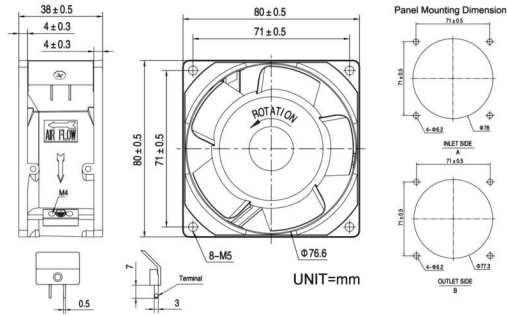
kaku®

KA8038/PC SERIES

80 × 80 × 38mm

KA8038/PC SERIES

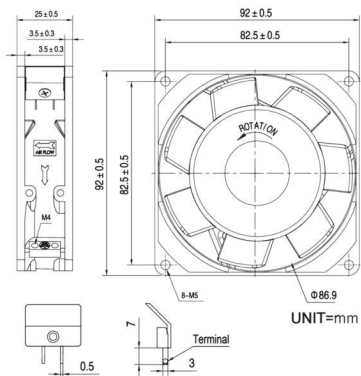
02



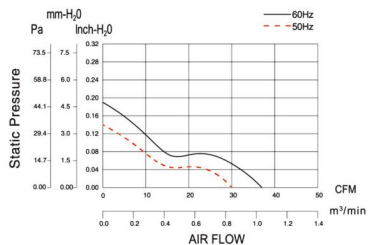
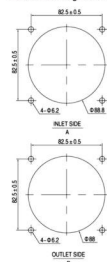
型號 Model	Part No. Terminal Leadwire	軸承類別 Bearing System	電壓 Rated Voltage(V)	頻率 Freq (Hz)	電流 Current (A)	功率 Input Power(W)	轉速 Speed (rpm)	風量 Air Flow (CFM)	靜壓 Static Pressure (inch-H ₂ O)	噪音值 Noise Level(dB-A)	重量 Weight (g)
KA8038HA1-2PC	8038HA1BMT(L)	Ball	110/120	50/60	0.14/0.13	15/13	2300/2800	24/31	0.13/0.17	30/32	260
KA8038HA2-2PC	8038HA2BMT(L)	Ball	220/240	50/60	0.07/0.06	15/12	2300/2800	24/31	0.13/0.17	30/32	260
KA8038HA1-2PC	8038HA1SMT(L)	Sleeve(Best)	110/120	50/60	0.14/0.13	15/13	2300/2800	24/31	0.13/0.17	30/32	260
KA8038HA2-2PC	8038HA2SMT(L)	Sleeve(Best)	220/240	50/60	0.07/0.06	15/12	2300/2800	24/31	0.13/0.17	30/32	260

kaku

www.shkaku.com 最新數據資訊，請于網上查詢！Please check our website in case any update information.



Panel Mounting Dimension



型號 Model	Part No. Terminal Leadwire	軸承類別 Bearing System	電壓 Rated Voltage(V)	頻率 Freq (Hz)	電流 Current (A)	功率 Input Power(W)	轉速 Speed (rpm)	風量 Air Flow (CFM)	靜壓 Static Pressure (inch-H ₂ O)	噪音值 Noise Level(dB-A)	重量 Weight (g)
KA9225HA1-2/PC	9225HA1BMT(L)	Ball	110/120	50/60	0.17/0.16	20/18	2650/3150	30/37	0.14/0.19	35/37	220
KA9225HA2-2/PC	9225HA2BMT(L)	Ball	220/240	50/60	0.10/0.09	20/18	2650/3150	30/37	0.14/0.19	35/37	220
KA9225HA1-2/PC	9225HA1SMT(L)	Sleeve(Best)	110/120	50/60	0.17/0.16	20/18	2650/3150	30/37	0.14/0.19	35/37	220
KA9225HA2-2/PC	9225HA2SMT(L)	Sleeve(Best)	220/240	50/60	0.10/0.09	20/18	2650/3150	30/37	0.14/0.19	35/37	220

AC FANS 交流軸流風機系列

PART-1.1

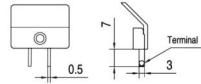
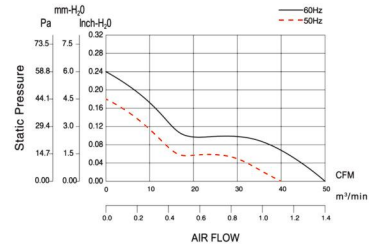
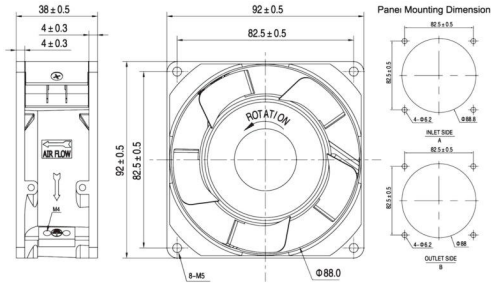
KAKU®

KA9238/PC SERIES

92×92×38mm

KA9238/PC SERIES

04



UNIT=mm



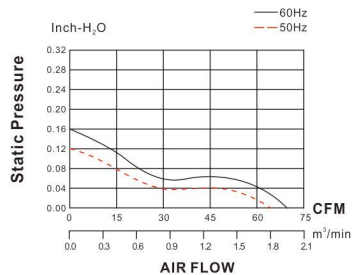
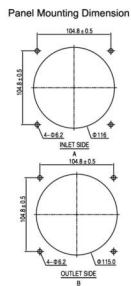
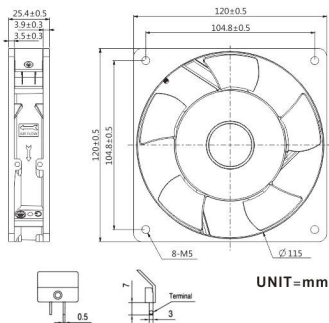
型號 Model	Part No. Terminal Leadwire	軸承類別 Bearing System	電壓 Rated Voltage(V)	頻率 Freq. (Hz)	電流 Current (A)	功率 Input Power(W)	轉速 Speed (rpm)	風量 Air Flow (CFM)	靜壓 Static Pressure (inch-H ₂ O)	噪音值 Noise Level(dB-A)	重量 Weight (g)
KA9238HA1-2PC	9238HA1BMT(L)	Ball	110/120	50/60	0.15/0.14	15/14	2500/3000	40/50	0.18/0.24	37/41	330
KA9238HA2-2PC	9238HA2BMT(L)	Ball	220/240	50/60	0.08/0.07	14/13	2500/3000	40/50	0.18/0.24	37/41	330
KA9238HA1-2PC	9238HA1SMT(L)	Sleeve(Best)	110/120	50/60	0.15/0.14	15/14	2500/3000	40/50	0.18/0.24	37/41	330
KA9238HA2-2PC	9238HA2SMT(L)	Sleeve(Best)	220/240	50/60	0.08/0.07	14/13	2500/3000	40/50	0.18/0.24	37/41	330

KAKU

www.shkaku.com 最新數據資訊，請于網上查詢！Please check our website in case any update information.

KAI 225/Mg SERIES

120 × 120 × 25mm



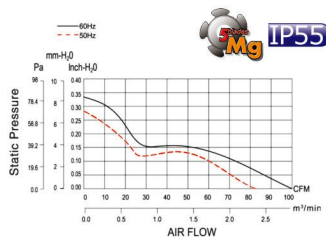
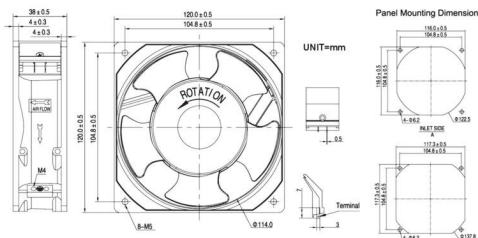
型號 Model	Part No. Terminal Leadwire	軸承類別 Bearing System	電壓 Rated Voltage(V)	頻率 Freq (Hz)	電流 Current (A)	功率 Input Power(W)	轉速 Speed (rpm)	風量 Air Flow (CFM)	靜壓 Static Pressure (inch-H ₂ O)	噪音值 Noise Level(dB-A)	重量 Weight (g)
KA1225HA1-2/Mg	1225HA1BMT(L)	Ball	110/120	50/60	0.16/0.13	13/11	2100/2200	65/71	0.13/0.16	38	320
KA1225HA2-2/Mg	1225HA2BMT(L)	Ball	220/240	50/60	0.07/0.06	12/11	2100/2200	65/71	0.13/0.16	44	320
KA1225HA1-2/Mg	1225HA1SMT(L)	Sleeve(Best)	110/120	50/60	0.16/0.13	13/11	2100/2200	65/71	0.13/0.16	38	320
KA1225HA2-2/Mg	1225HA2SMT(L)	Sleeve(Best)	220/240	50/60	0.07/0.06	12/11	2100/2200	65/71	0.13/0.16	44	320

KAI 225/Mg SERIES

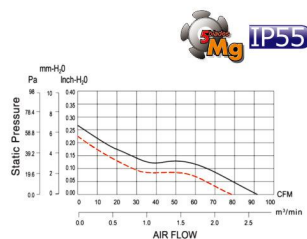
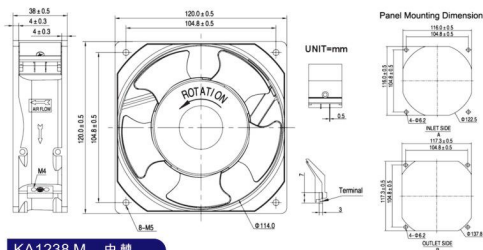
05

IP55 KA1238 SERIES

H(高轉) & M(中轉) 120 × 120 × 38mm


KA1238 H 高轉

型號 Model	Part No. Terminal Leadwire	軸承類別 Bearing System	電壓 Rated Voltage(V)	頻率 Freq (Hz)	電流 Current (A)	功率 Input Power(W)	轉速 Speed (rpm)	風量 Air Flow (CFM)	靜壓 Static Pressure (inch-H ₂ O)	噪音值 Noise Level(dB-A)	重量 Weight (g)
KA1238HA-1-2(P55)/Mg	1238HA1BMT(L)	Ball	110/120	50/60	0.28/0.22	21/18	2700/3100	84/100	0.28/0.34	49/51	460
KA1238HA-2-2(P55)/Mg	1238HA2BMT(L)	Ball	220/240	50/60	0.13/0.11	21/18	2700/3100	84/100	0.28/0.34	49/51	460
KA1238HA-3-2(P55)/Mg	1238HA3BMT(L)	Ball	380/400	50/60	0.07/0.06	21/18	2700/3100	84/100	0.28/0.34	49/51	460
KA1238HA-1-2(P55)/Mg	1238HA1SMT(L)	Sleeve(Best)	110/120	50/60	0.28/0.22	21/18	2700/3100	84/100	0.28/0.34	49/51	460
KA1238HA-2-2(P55)/Mg	1238HA2SMT(L)	Sleeve(Best)	220/240	50/60	0.13/0.11	21/18	2700/3100	84/100	0.28/0.34	49/51	460
KA1238HA-3-2(P55)/Mg	1238HA3SMT(L)	Sleeve(Best)	380/400	50/60	0.07/0.06	21/18	2700/3100	84/100	0.28/0.34	49/51	460


KA1238 M 中轉

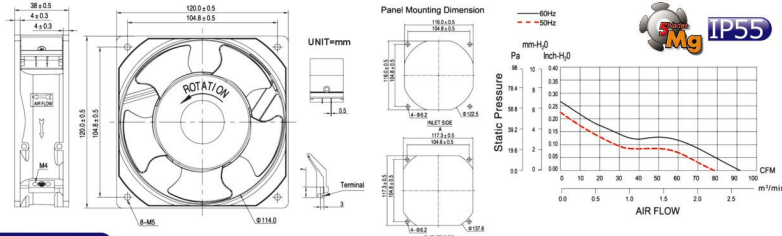
型號 Model	Part No. Terminal Leadwire	軸承類別 Bearing System	電壓 Rated Voltage(V)	頻率 Freq (Hz)	電流 Current (A)	功率 Input Power(W)	轉速 Speed (rpm)	風量 Air Flow (CFM)	靜壓 Static Pressure (inch-H ₂ O)	噪音值 Noise Level(dB-A)	重量 Weight (g)
KA1238MA-1-2(IP55)/Mg	1238MA1BMT(L)	Ball	110/120	50/60	0.14/0.12	12/11	2500/2700	78/92	0.23/0.27	41/45	455
KA1238MA-2-2(IP55)/Mg	1238MA2BMT(L)	Ball	220/240	50/60	0.08/0.07	14/13	2500/2700	78/92	0.23/0.27	41/45	455
KA1238MA-3-2(IP55)/Mg	1238MA3BMT(L)	Ball	380/400	50/60	0.05/0.04	13/12	2500/2700	78/92	0.23/0.27	41/45	455
KA1238MA-1-2(IP55)/Mg	1238MA1SMT(L)	Sleeve(Best)	110/120	50/60	0.14/0.12	12/11	2500/2700	78/92	0.23/0.27	41/45	455
KA1238MA-2-2(IP55)/Mg	1238MA2SMT(L)	Sleeve(Best)	220/240	50/60	0.08/0.07	14/13	2500/2700	78/92	0.23/0.27	41/45	455
KA1238MA-3-2(IP55)/Mg	1238MA3SMT(L)	Sleeve(Best)	380/400	50/60	0.05/0.04	13/12	2500/2700	78/92	0.23/0.27	41/45	455

IP55 KA I 238 SERIES

120×120×38mm L(低轉) & Dual-Voltage (雙電壓)

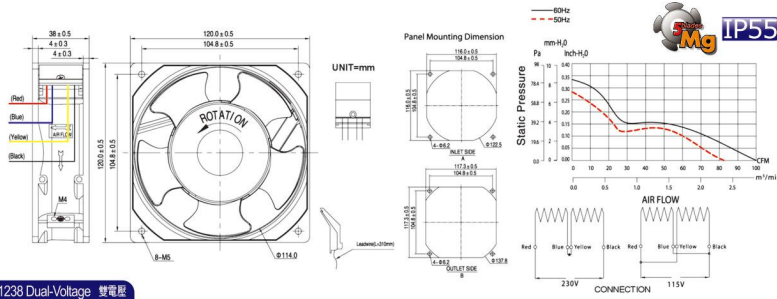
IP55 KA I 238 SERIES
L(低轉)& Dual-Voltage(雙電壓)

08



KA1238 L 低轉

型號 Model	Part No. Terminal Leadwire	軸承類別 Bearing System	電壓 Rated Voltage(V)	頻率 Freq (Hz)	電流 Current (A)	功率 Input Power(W)	轉速 Speed (rpm)	風量 Air Flow (CFM)	靜壓 Static Pressure (inch-H ₂ O)	噪音值 Noise Level(dB-A)	重量 Weight (g)
KA1238LA1-2(IP55)/Mg	1238LA1BMT(L)	Ball	110/120	50/60	0.10/0.09	9/8	2300/2000	70/65	0.18/0.13	39/36	450
KA1238LA2-2(IP55)/Mg	1238LA2BMT(L)	Ball	220/240	50/60	0.05/0.05	9/9	2300/2000	70/65	0.18/0.13	39/36	450
KA1238LA3-2(IP55)/Mg	1238LA3BMT(L)	Ball	380/400	50/60	0.03/0.03	9/8	2300/2000	70/65	0.18/0.13	39/36	450
KA1238LA1-2(IP55)/Mg	1238LA1SMT(L)	Sleeve(Best)	110/120	50/60	0.10/0.09	9/8	2300/2000	70/65	0.18/0.13	39/36	450
KA1238LA2-2(IP55)/Mg	1238LA2SMT(L)	Sleeve(Best)	220/240	50/60	0.05/0.05	9/9	2300/2000	70/65	0.18/0.13	39/36	450
KA1238LA3-2(IP55)/Mg	1238LA3SMT(L)	Sleeve(Best)	380/400	50/60	0.03/0.03	9/8	2300/2000	70/65	0.18/0.13	39/36	450



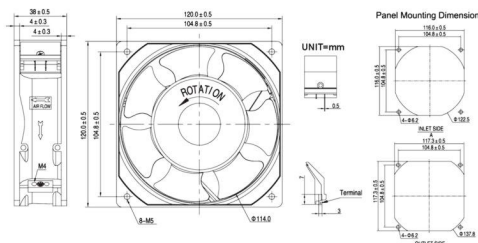
KA1238 Dual-Voltage 雙電壓

型號 Model	Part No. Terminal Leadwire	軸承類別 Bearing System	電壓 Rated Voltage(V)	頻率 Freq (Hz)	電流 Current (A)	功率 Input Power(W)	轉速 Speed (rpm)	風量 Air Flow (CFM)	靜壓 Static Pressure (inch-H ₂ O)	噪音值 Noise Level(dB-A)	重量 Weight (g)
KA1238HA1/A2-2(IP55)/Mg	1238HA1BML	Ball	115	50/60	0.28/0.22	21/18	2700/3100	84/100	0.28/0.34	49/51	460
	1238HA2BML	Ball	230	50/60	0.13/0.11	21/18	2700/3100	84/100	0.28/0.34	49/51	460
	1238HA1SML	Sleeve(Best)	115	50/60	0.28/0.22	21/18	2700/3100	84/100	0.28/0.34	49/51	460
	1238HA2SML	Sleeve(Best)	230	50/60	0.13/0.11	21/18	2700/3100	84/100	0.28/0.34	49/51	460

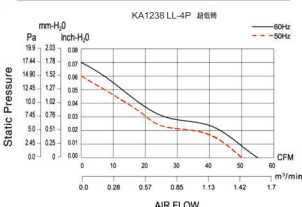
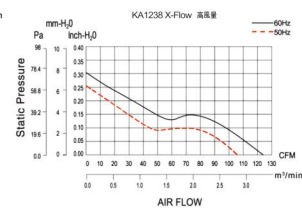
www.shikaku.com 最新數據資訊，請上網查閱！Please check our website in case any update information.

IP55 KA1238 SERIES

X-Flow (高風量) & LL-4P (超低轉) 120 × 120 × 38mm



外形與KA1238LL系列相同



KA1238 X-Flow 高風量											
型號 Model	Part No. Terminal Leadwire	軸承類別 Bearing System	電壓 Rated Voltage(V)	頻率 Freq (Hz)	電流 Current (A)	功率 Input Power(W)	轉速 Speed (rpm)	風量 Air Flow (CFM)	靜壓 Static Pressure (inch-H ₂ O)	噪音值 Noise Level(dB-A)	重量 Weight (g)
KA1238XA1-2(IP55)/PC	1238XA1BMT(L)	Ball	110/120	50/60	0.31/0.25	23/20	2500/2850	105/123	0.26/0.31	50/52	470
KA1238XA2-2(IP55)/PC	1238XA2BMT(L)	Ball	220/240	50/60	0.15/0.13	23/20	2500/2850	105/123	0.26/0.31	50/52	470
KA1238XA3-2(IP55)/PC	1238XA3BMT(L)	Ball	380/400	50/60	0.09/0.08	23/20	2500/2850	105/123	0.26/0.31	50/52	470
KA1238XA1-2(IP55)/PC	1238XA1SMT(L)	Sleeve(Best)	110/120	50/60	0.31/0.25	23/20	2500/2850	105/123	0.26/0.31	50/52	470
KA1238XA2-2(IP55)/PC	1238XA2SMT(L)	Sleeve(Best)	220/240	50/60	0.15/0.13	23/20	2500/2850	105/123	0.26/0.31	50/52	470
KA1238XA3-2(IP55)/PC	1238XA3SMT(L)	Sleeve(Best)	380/400	50/60	0.09/0.08	23/20	2500/2850	105/123	0.26/0.31	50/52	470

KA1238 LL-4P 超低轉											
型號 Model	Part No. Terminal Leadwire	軸承類別 Bearing System	電壓 Rated Voltage(V)	頻率 Freq (Hz)	電流 Current (A)	功率 Input Power(W)	轉速 Speed (rpm)	風量 Air Flow (CFM)	靜壓 Static Pressure (inch-H ₂ O)	噪音值 Noise Level(dB-A)	重量 Weight (g)
KA1238LLA1-4(IP55)/PC	1238LLA1BMT(L)	Ball	110/120	50/60	0.15/0.13	10/8	1300/1500	50/55	0.06/0.07	36/38	470
KA1238LLA2-4(IP55)/PC	1238LLA2BMT(L)	Ball	220/240	50/60	0.09/0.07	10/8	1300/1500	50/55	0.06/0.07	36/38	470
KA1238LLA1-4(IP55)/PC	1238LLA1SMT(L)	Sleeve(Best)	110/120	50/60	0.15/0.13	10/8	1300/1500	50/55	0.06/0.07	36/38	470
KA1238LLA2-4(IP55)/PC	1238LLA2SMT(L)	Sleeve(Best)	220/240	50/60	0.09/0.07	10/8	1300/1500	50/55	0.06/0.07	36/38	470

IP55 KA1238 SERIES
X-Flow(高風量) & LL-4P(超低轉)

AC FANS 交流軸流風機系列

PART-1.1

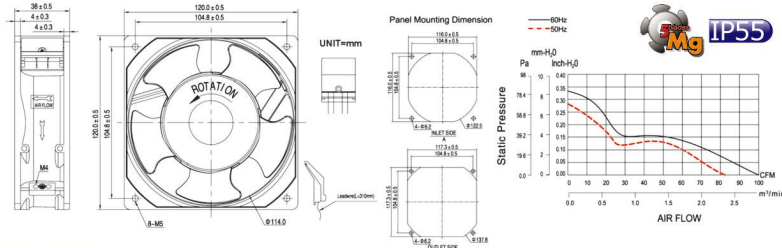
kaku

IP55 KA I 238 SERIES

120×120×38mm AC24V & E.M.C. (抗屏蔽)

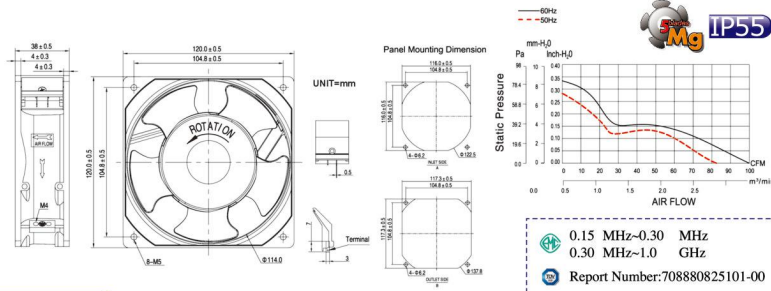
IP55 KA I 238 SERIES
AC24V & E.M.C. (抗屏蔽)

10



KA1238 AC24V

型號 Model	Part No. Terminal Leadwire	軸承類別 Bearing System	電壓 Rated Voltage(V)	頻率 Freq (Hz)	電流 Current (A)	功率 Input Power(W)	轉速 Speed (rpm)	風量 Air Flow (CFM)	靜壓 Static Pressure (inch-H ₂ O)	噪音值 Noise Level(dB-A)	重量 Weight (g)
KA1238HA24-2(IP55)/Mg	1238HA24BMT(L)	Ball	24	50/60	1.05/0.85	15/13	2700/3100	84/100	0.28/0.34	45/51	460
KA1238HA24-2(IP55)/Mg	1238HA24SMT(L)	Sleeve(Best)	24	50/60	1.05/0.85	15/13	2700/3100	84/100	0.28/0.34	45/51	460



KA1238 E.M.C. 抗屏蔽

型號 Model	Part No. Terminal Leadwire	軸承類別 Bearing System	電壓 Rated Voltage(V)	頻率 Freq (Hz)	電流 Current (A)	功率 Input Power(W)	轉速 Speed (rpm)	風量 Air Flow (CFM)	靜壓 Static Pressure (inch-H ₂ O)	噪音值 Noise Level(dB-A)	重量 Weight (g)
KA1238HA1.EMC(IP55)/Mg	1238HA1BMT(L)	Ball	110/120	50/60	0.28/0.22	21/18	2700/3100	84/100	0.28/0.34	49/51	460
KA1238HA2.EMC(IP55)/Mg	1238HA2BMT(L)	Ball	220/240	50/60	0.13/0.11	21/18	2700/3100	84/100	0.28/0.34	49/51	460
KA1238HA3.EMC(IP55)/Mg	1238HA3BMT(L)	Ball	380/400	50/60	0.07/0.06	21/18	2700/3100	84/100	0.28/0.34	49/51	460
KA1238HA1.EMC(IP55)/Mg	1238HA1SMT(L)	Sleeve(Best)	110/120	50/60	0.28/0.22	21/18	2700/3100	84/100	0.28/0.34	49/51	460
KA1238HA2.EMC(IP55)/Mg	1238HA2SMT(L)	Sleeve(Best)	220/240	50/60	0.13/0.11	21/18	2700/3100	84/100	0.28/0.34	49/51	460
KA1238HA3.EMC(IP55)/Mg	1238HA3SMT(L)	Sleeve(Best)	380/400	50/60	0.07/0.06	21/18	2700/3100	84/100	0.28/0.34	49/51	460

0.15 MHz~0.30 MHz
0.30 MHz~1.0 GHz
Report Number:708880825101-00

kaku

www.shkaku.com 最新數據資訊，請于網上查詢！Please check our website in case any update information.

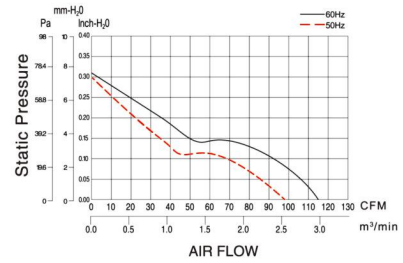
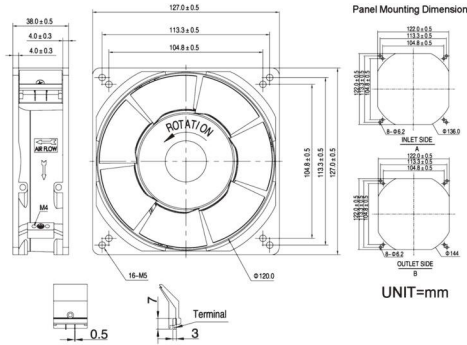
KAKU

PART-1.1

AC FANS 交流軸流風機系列

IP55 KA12738 SERIES

127×127×38mm



型號 Model	Part No. Terminal Leadwire	軸承類別 Bearing System	電壓 Rated Voltage(V)	頻率 Freq (Hz)	電流 Current (A)	功率 Input Power(W)	轉速 Speed (rpm)	風量 Air Flow (CFM)	靜壓 Static Pressure (inch-H ₂ O)	噪音值 Noise Level(dB-A)	重量 Weight (g)
KA12738HA1-2(IP55)/PC	12738HA1BMT(L)	Ball	110/120	50/60	0.28/0.22	21/18	2700/3100	98/115	0.30/0.31	50/52	460
KA12738HA2-2(IP55)/PC	12738HA2BMT(L)	Ball	220/240	50/60	0.13/0.11	21/18	2700/3100	98/115	0.30/0.31	50/52	460
KA12738HA3-2(IP55)/PC	12738HA3BMT(L)	Ball	380/400	50/60	0.07/0.06	21/18	2700/3100	98/115	0.30/0.31	50/52	460
KA12738HA1-2(IP55)/PC	12738HA1SMT(L)	Sleeve(Best)	110/120	50/60	0.28/0.22	21/18	2700/3100	98/115	0.30/0.31	50/52	460
KA12738HA2-2(IP55)/PC	12738HA2SMT(L)	Sleeve(Best)	220/240	50/60	0.13/0.11	21/18	2700/3100	98/115	0.30/0.31	50/52	460
KA12738HA3-2(IP55)/PC	12738HA3SMT(L)	Sleeve(Best)	380/400	50/60	0.07/0.06	21/18	2700/3100	98/115	0.30/0.31	50/52	460

KAKU

最新數據資訊，請于網上查詢！Please check our website in case any update information. www.shkaku.com

IP55 KA12738 SERIES

AC FANS 交流軸流風機系列

PART-1.1

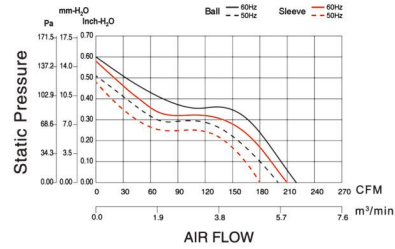
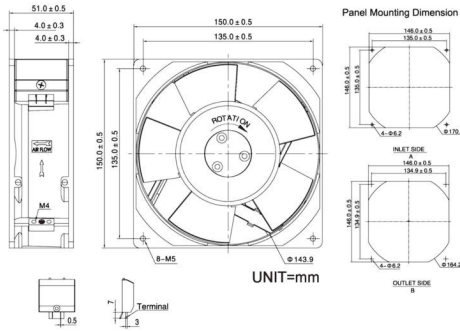
KAKU

IP55 KA1525 SERIES

150×150×51mm

IP55 KA1525 SERIES

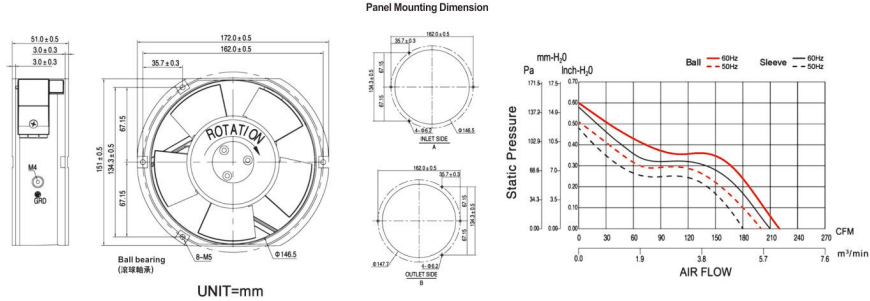
12



型號 Model	Part No. Terminal Leadwire	軸承類別 Bearing System	電壓 Rated Voltage(V)	頻率 Freq (Hz)	電流 Current (A)	功率 Input Power(W)	轉速 Speed (rpm)	風量 Air Flow (CFM)	靜壓 Static Pressure (inch-H ₂ O)	噪音值 Noise Level(dB-A)	重量 Weight (g)
KA1525HA1-2(IP55)/Mg	1525HA1BMT(L)	Ball	110/120	50/60	0.65/0.55	45/40	2800/3200	200/220	0.51/0.60	57/59	990
KA1525HA2-2(IP55)/Mg	1525HA2BMT(L)	Ball	220/240	50/60	0.35/0.28	45/40	2800/3200	200/220	0.51/0.60	57/59	990
KA1525HA3-2(IP55)/Mg	1525HA3BMT(L)	Ball	380/400	50/60	0.20/0.27	45/40	2800/3200	200/220	0.51/0.60	57/59	990
KA1525HA1-2(IP55)/Mg	1525HA1SMT(L)	Sleeve(Best)	110/120	50/60	0.40/0.35	31/28	2700/3100	180/210	0.48/0.58	56/58	890
KA1525HA2-2(IP55)/Mg	1525HA2SMT(L)	Sleeve(Best)	220/240	50/60	0.20/0.17	30/28	2700/3100	180/210	0.48/0.58	56/58	890
KA1525HA3-2(IP55)/Mg	1525HA3SMT(L)	Sleeve(Best)	380/400	50/60	0.13/0.11	32/29	2700/3100	180/210	0.48/0.58	56/58	890

KAKU

www.shkaku.com 最新數據資訊，請于網上查詢！Please check our website in case any update information.



KA1725 H 高轉

型號 Model	Part No. Terminal Leadwire	軸承類別 Bearing System	電壓 Rated Voltage(V)	頻率 Freq (Hz)	電流 Current (A)	功率 Input Power(W)	轉速 Speed (rpm)	風量 Air Flow (CFM)	靜壓 Static Pressure (inch-H ₂ O)	噪音值 Noise Level(dB-A)	重量 Weight (g)
KA1725HA1-2(IP55)/Mg	1725HA1BMT(L)	Ball	110/120	50/60	0.65/0.55	45/40	2800/3200	200/220	0.51/0.60	57/59	940
KA1725HA2-2(IP55)/Mg	1725HA2BMT(L)	Ball	220/240	50/60	0.35/0.28	45/40	2800/3200	200/220	0.51/0.60	57/59	940
KA1725HA3-2(IP55)/Mg	1725HA3BMT(L)	Ball	380/400	50/60	0.20/0.27	45/40	2800/3200	200/220	0.51/0.60	57/59	940

AC FANS 交流軸流風機系列

PART-1.1

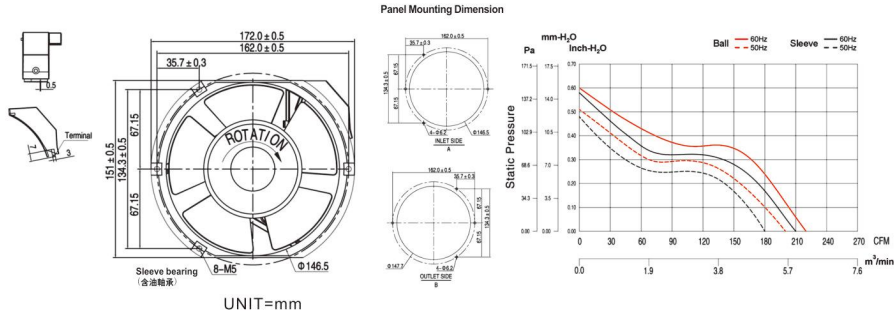
KAKU®

IP55 KA1725 SERIES

172×150×51mm H (高轉)

IP55 KA1725 SERIES
H (高轉)

14



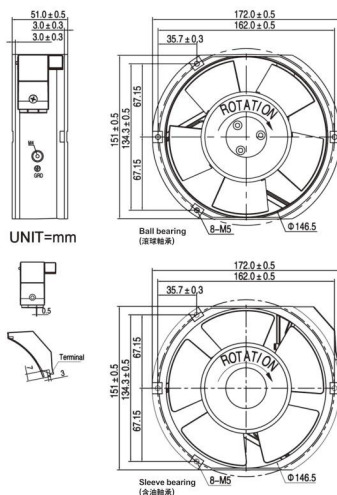
KA1725 H 高轉

型號 Model	Part No. Terminal Leadwire	軸承類別 Bearing System	電壓 Rated Voltage(V)	頻率 Freq (Hz)	電流 Current (A)	功率 Input Power(W)	轉速 Speed (rpm)	風量 Air Flow (CFM)	靜壓 Static Pressure (inch-H ₂ O)	噪音值 Noise Level(dB-A)	重量 Weight (g)
KA1725HA1-2(IP55)Mg	1725HA1SMT(L)	Sleeve(Best)	110/120	50/60	0.40/0.35	31/28	2700/3100	180/210	0.48/0.58	56/58	850
KA1725HA2-2(IP55)Mg	1725HA2SMT(L)	Sleeve(Best)	220/240	50/60	0.20/0.17	30/28	2700/3100	180/210	0.48/0.58	56/58	850
KA1725HA3-2(IP55)Mg	1725HA3SMT(L)	Sleeve(Best)	380/400	50/60	0.13/0.11	32/29	2700/3100	180/210	0.48/0.58	56/58	850

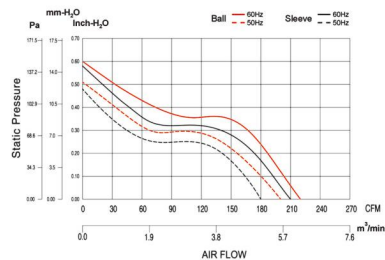
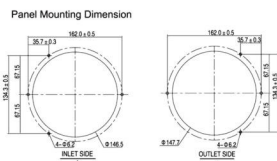
KAKU

www.shkaku.com 最新數據資訊，請于網上查詢！Please check our website in case any update information.

IP55 KAI 725 SERIES

 AC24V & E.M.C. (抗屏蔽) **172 × 150 × 51mm**


UNIT=mm


KA1725 AC24V

型號 Model	Part No. Terminal Leadwire	軸承類別 Bearing System	電壓 Rated Voltage(V)	頻率 Freq (Hz)	電流 Current (A)	功率 Input Power(W)	轉速 Speed (rpm)	風量 Air Flow (CFM)	靜壓 Static Pressure (inch-H ₂ O)	噪音值 Noise Level(dB-A)	重量 Weight (g)
KA1725HA24(IP55)/Mg	1725HA24BMT(L)	Ball	24	50/60	2.4/2.0	45/40	2800/3200	200/220	0.51/0.60	57/59	940
KA1725HA24(IP55)/Mg	1725HA24SMT(L)	Sleeve(Best)	24	50/60	2.1/1.8	33/31	2700/3100	180/210	0.48/0.58	56/58	850

KA1725 E.M.C. 抗屏蔽

型號 Model	Part No. Terminal Leadwire	軸承類別 Bearing System	電壓 Rated Voltage(V)	頻率 Freq (Hz)	電流 Current (A)	功率 Input Power(W)	轉速 Speed (rpm)	風量 Air Flow (CFM)	靜壓 Static Pressure (inch-H ₂ O)	噪音值 Noise Level(dB-A)	重量 Weight (g)
KA1725HA1EMC(IP55)/Mg	1725HA1BMT(L)	Ball	110/120	50/60	0.65/0.55	45/40	2800/3200	200/220	0.51/0.60	57/59	940
KA1725HA2EMC(IP55)/Mg	1725HA2BMT(L)	Ball	220/240	50/60	0.35/0.28	45/40	2800/3200	200/220	0.51/0.60	57/59	940
KA1725HA3EMC(IP55)/Mg	1725HA3BMT(L)	Ball	380/400	50/60	0.20/0.27	45/40	2800/3200	200/220	0.51/0.60	57/59	940
KA1725HA1EMC(IP55)/Mg	1725HA1SMT(L)	Sleeve(Best)	110/120	50/60	0.40/0.35	31/28	2700/3100	180/210	0.48/0.58	56/58	850
KA1725HA2EMC(IP55)/Mg	1725HA2SMT(L)	Sleeve(Best)	220/240	50/60	0.20/0.17	30/28	2700/3100	180/210	0.48/0.58	56/58	850
KA1725HA3EMC(IP55)/Mg	1725HA3SMT(L)	Sleeve(Best)	380/400	50/60	0.13/0.11	32/29	2700/3100	180/210	0.48/0.58	56/58	850

 IP55 KAI 725 SERIES
AC24V & E.M.C. (抗屏蔽)

15

AC FANS 交流軸流風機系列

PART-1.1

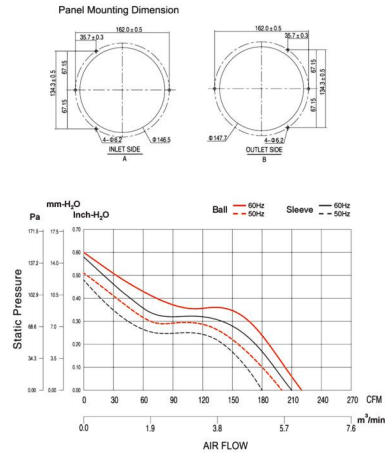
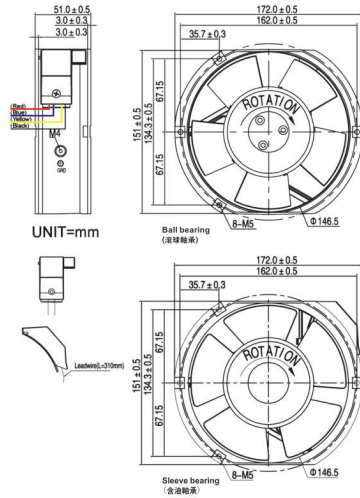
KAKU®

IP55 KA I 725 SERIES

172×150×51mm Dual-Voltage (雙電壓)

IP55 KA I 725 SERIES
Dual-Voltage(雙電壓)

16



KA1725 Dual-Voltage 雙電壓

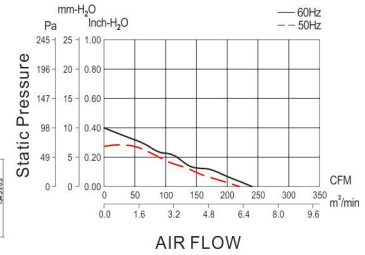
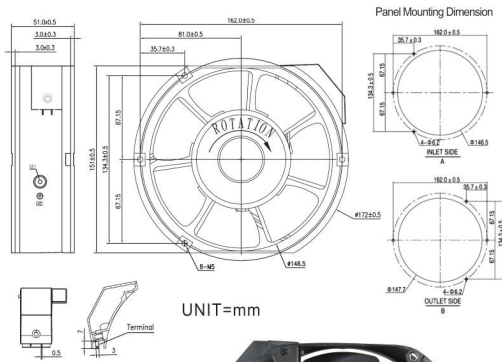
型號 Model	Part No. Terminal Leadwire	軸承類別 Bearing System	電壓 Rated Voltage(V)	頻率 Freq (Hz)	電流 Current (A)	功率 Input Power(W)	轉速 Speed (rpm)	風量 Air Flow (CFM)	靜壓 Static Pressure (inch-H ₂ O)	噪音值 Noise Level(dB-A)	重量 Weight (g)
KA1725HA1/A2(IP55)Mg	1725HA1BML	Ball	115	50/60	0.65/0.55	45/40	2800/3200	200/220	0.51/0.60	57/59	940
	1725HA2BML	Ball	230	50/60	0.35/0.28	45/40	2800/3200	200/220	0.51/0.60	57/59	940
	1725HA1SML	Sleeve(Best)	115	50/60	0.40/0.35	31/28	2700/3100	180/210	0.48/0.58	56/58	850
	1725HA2SML	Sleeve(Best)	230	50/60	0.20/0.17	30/28	2700/3100	180/210	0.48/0.58	56/58	850

KAKU.

www.shkaku.com 最新數據資訊，請于網上查詢！Please check our website in case any update information.

KAI 725 SERIES

X-Flow (高風量) **172 × 150 × 51mm**



KAI725 X-Flow 高風量

型號 Model	Part No. Terminal Leadwire	軸承類別 Bearing System	電壓 Rated Voltage(V)	頻率 Freq (Hz)	電流 Current (A)	功率 Input Power(W)	轉速 Speed (rpm)	風量 Air Flow (CFM)	靜壓 Static Pressure (inch-H ₂ O)	噪音值 Noise Level(dB-A)	重量 Weight (g)
KA1725XA1-2/PC	1725XA1BMT(L)	Ball	110/120	50/60	0.53/0.45	42/39	2750/3000	220/240	0.40/0.28	57/59	940
KA1725XA2-2/PC	1725XA2BMT(L)	Ball	220/240	50/60	0.28/0.24	42/39	2750/3000	220/240	0.40/0.28	57/59	940
KA1725XA3-2/PC	1725XA3BMT(L)	Ball	380/400	50/60	0.14/0.13	42/39	2750/3000	220/240	0.40/0.28	57/59	940

KAI 725 SERIES
X-Flow(高風量)

17

AC FANS 交流軸流風機系列

PART-1.1

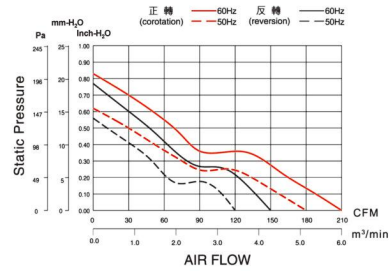
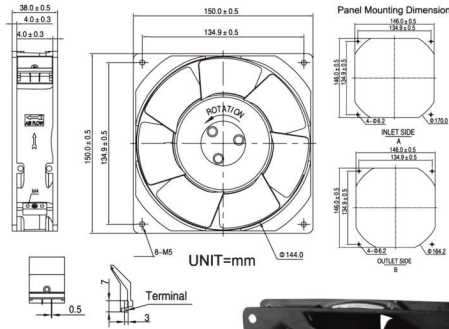
KAKU

KAI 5023/Mg SERIES

150 × 150 × 38mm

KAI 5023/Mg SERIES

18



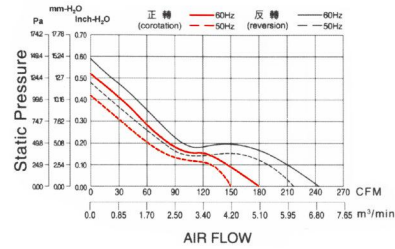
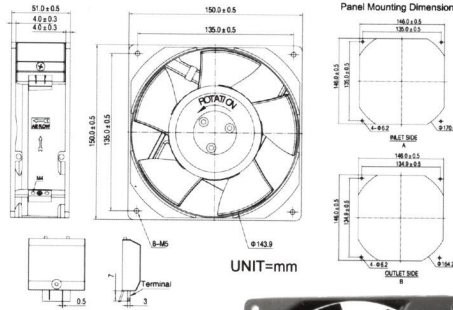
型號 Model	Part No. Terminal Leadwire	軸承類別 Bearing System	電壓 Rated Voltage(V)	頻率 Freq (Hz)	電流 Current (A)	功率 Input Power(W)	轉速 Speed (rpm)	風量 Air Flow (CFM)	靜壓 Static Pressure (Inch-H ₂ O)	噪音值 Noise Level(dB-A)	重量 Weight (g)
KA15023HA(1)1-2Mg	15023HA(1)1BMT(L)	Ball	110/120	50/60	0.27/0.23	27/26	2800/3300	180/210	0.62/0.83	57/61	650
	15023HA(1)1BML(C)	Ball	110/120	50/60	0.27/0.23	27/26	2800/3300	180/210 120/150 正轉 (corotation) 反轉 (reversion)	0.62/0.83 0.56/0.77 正轉 (corotation) 反轉 (reversion)	57/61	650
	15023HA(1)1BML(A)	Ball	110/120	50/60	0.27/0.23	27/26	2800/3300	180/210	0.62/0.83	57/61	650
KA15023HA(1)2-2Mg	15023HA(1)2BMT(L)	Ball	220/240	50/60	0.13/0.12	25/26	2800/3300	180/210	0.62/0.83	57/61	650
	15023HA(1)2BML(C)	Ball	220/240	50/60	0.13/0.12	25/26	2800/3300	180/210 120/150 正轉 (corotation) 反轉 (reversion)	0.62/0.83 0.56/0.77 正轉 (corotation) 反轉 (reversion)	57/61	650
	15023HA(1)2BML(A)	Ball	220/240	50/60	0.13/0.12	25/26	2800/3300	180/210	0.62/0.85	57/61	650

說明: 1. 表中 (1) 代表單相
2. 表中 (C) 代表正反轉功能 (此機型為引線式, 線長310mm, 採用符合UL1332#, 24AWG, 200°C之黑色線, 引線為三線式: "00" "01" "02" 正轉, 00-02反轉)
3. 表中 (A) 代表警告功能 (a. 警告功能採用無源觸點式 b. 此機型為端子式, 警告信號線長310mm, 採用符合UL1332#, 24AWG, 200°C之黃色線)

Note: 1. (1) represent single-phase
2. (C) represent the function of corotation and rollback (this fan is lead wire style, adopting 3 black wires with each of the length 310mm which meet UL 1332#, 24AWG, 200°C standard "00" "01" "02" corotation "00-02" reversion) in the form.
3. (A) represent the function of fan with warning signal output (a. This warning function adopt passive adherent point type; b. This fan is terminal type, warning signal output adopting yellow wire with the length 310mm which meet UL 1332#, 24AWG, 200°C standard) in the form.

KAKU

www.shkaku.com 最新數據資訊, 請于網上查詢! Please check our website in case any update information.



型號 Model	Part No. Terminal Leadwire	軸承類別 Bearing System	電壓 Rated Voltage(V)	頻率 Freq (Hz)	電流 Current (A)	功率 Input Power(W)	轉速 Speed (rpm)	風量 Air Flow (CFM)	靜壓 Static Pressure (Inch-H ₂ O)	噪音值 Noise Level(dB)	重量 Weight (g)
KA15025HA(1)1-2/Mg	15025HA(1)1BMT(L)	Ball	110/120	50/60	0.25/0.26	27/30	2800/3300	218/245	0.48/0.59	59/62	840
	15025HA(1)1BML(C)	Ball	110/120	50/60	0.25/0.26	27/30	2800/3300	218/245 150/180 正轉 (corotation) 反轉 (reversion)	0.42/0.52 正轉 (corotation) 反轉 (reversion)	59/62	840
KA15025HA(1)2-2/Mg	15025HA(1)2BML(A)	Ball	110/120	50/60	0.25/0.26	27/30	2800/3300	218/245	0.48/0.59	59/62	840
	15025HA(1)2BMT(L)	Ball	220/240	50/60	0.12/0.13	27/30	2800/3300	218/245	0.48/0.59	59/62	840
KA15025HA(3)3-2/Mg	15025HA(1)2BML(A)	Ball	220/240	50/60	0.12/0.13	27/30	2800/3300	218/245	0.48/0.59	59/62	840
	15025HA(3)3BML	Ball	380/440	50/60	0.08/0.09	28/31	2800/3300	218/245	0.48/0.59	59/62	840
	15025HA(3)3BML(A)	Ball	380/440	50/60	0.08/0.09	28/31	2800/3300	218/245	0.48/0.59	59/62	840

說明: 1.表中 (1) 代表單相, (3) 代表三相
2.表中 (C) 代表正反轉功能 (此機型為引線式, 線長310mm, 採用符合UL1332#, 24AWG, 200°C之黑色線, 引線為三線式“00-01-01”正轉, 00-02反轉)
3.表中 (A) 代表警告功能 (a.警告功能採用無牙觸點式, b.此機型為端子式, 警告信號線長310mm, 採用符合UL1332#, 24AWG, 200°C之黃色線)

Note: 1. (1) represent single-phase, (3) represent three phase in the form.
2. (C) represent the function of corotation and rollback (this fan is lead wire style, adopting 3 black wires with each of the length 310mm which meet UL 1332#, 24AWG, 200°C standard [00-01] [00-02] corotation [00-02] reversion) in the form.

3. (A) represent the function of fan with warning signal output (a. This warning function adopt passive adherent point type; b. This fan is terminal type, warning signal output adopting yellow wire with the length 310mm which meet UL 1332#, 24AWG, 200°C standard) in the form.

AC FANS 交流軸流風機系列

PART-1.1

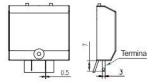
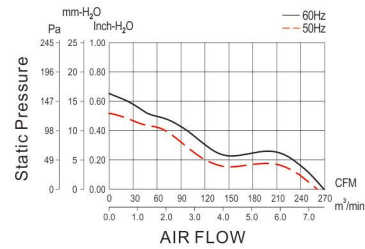
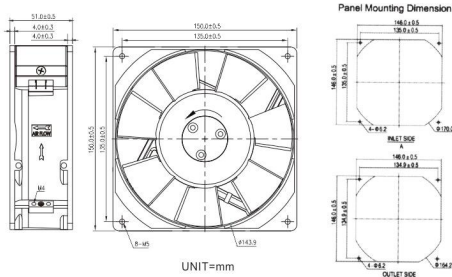
KAKU

KAI 5025/Mg SERIES

150×150×51mm X-Flow (高風量)

KAI 5025/Mg SERIES
X-Flow(高風量)

20



型號 Model	Part No. Terminal Leadwire	軸承類別 Bearing System	電壓 Rated Voltage(V)	頻率 Freq (Hz)	電流 Current (A)	功率 Input Power(W)	轉速 Speed (rpm)	風量 Air Flow (CFM)	靜壓 Static Pressure (inch-H ₂ O)	噪音值 Noise Level(dBA)	重量 Weight (g)
KA15025XA(1)1-2/PC	15025XA(1)1BMT	Ball	110/120	50/60	0.40/0.46	60/65	2850/3300	254/268	0.52/0.65	62/65	860
	15025XA(1)1BMT(A)	Ball	110/120	50/60	0.40/0.46	60/65	2850/3300	254/268	0.52/0.65	62/65	860
KA15025XA(1)2-2/PC	15025XA(1)2BMT	Ball	220/240	50/60	0.26/0.28	60/65	2850/3300	254/268	0.52/0.65	62/65	860
	15025XA(1)2BMT(A)	Ball	220/240	50/60	0.26/0.28	60/65	2850/3300	254/268	0.52/0.65	62/65	860
KA15025XA(3)3-2/PC	15025XA(3)3BMT	Ball	380/400	50/60	0.13/0.16	60/65	2850/3300	254/268	0.52/0.65	62/65	860
	15025XA(3)3BMT(A)	Ball	380/400	50/60	0.13/0.16	60/65	2850/3300	254/268	0.52/0.65	62/65	860

說明: 1. 表中 (1) 代表單相

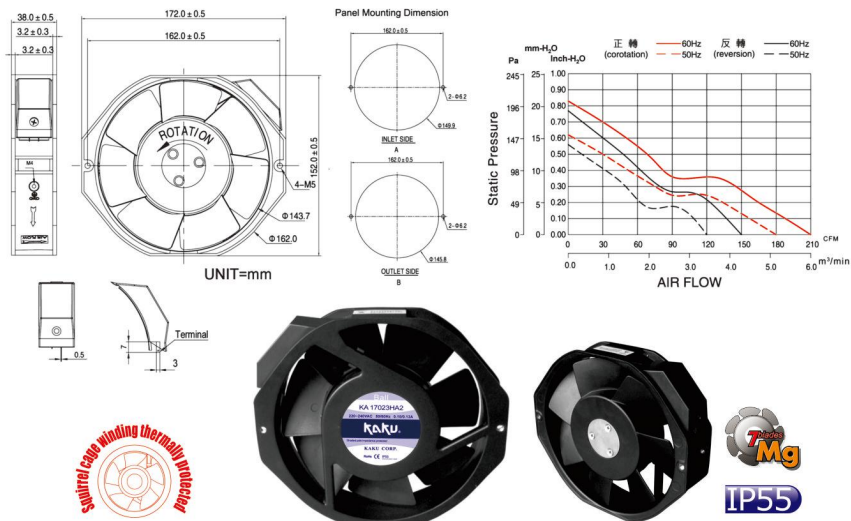
2. 表中 (A) 代表報警功能 (a. 報警功能採用無源觸點式 b. 此機型為端子式, 報警信號線長310mm, 採用符合UL1332#, 24AWG, 200°C之黃色線)

Note: 1. (1) represent single-phase

2. (A) represent the function of fan with warning signal output (a. This warning function adopt passive adherent point type; b. This fan is terminal type, warning signal output adopting yellow wire with the length 310mm which meet UL 1332#, 24AWG, 200°C standard) in the form.

KAKU

www.shkaku.com 最新數據資訊, 請于網上查詢! Please check our website in case any update information.



型號 Model	Part No. Terminal Leadwire	軸承類別 Bearing System	電壓 Rated Voltage(V)	頻率 Freq (Hz)	電流 Current (A)	功率 Input Power(W)	轉速 Speed (rpm)	風量 Air Flow (CFM)	靜壓 Static Pressure (Inch-H ₂ O)	噪音值 Noise Level(dBA)	重量 Weight (g)
KAI7023HA(1)1-2(IP55)Mg	17023HA(1)1BMT(L)	Ball	110/120	50/60	0.27/0.23	27/26	2800/3300	180/210	0.62/0.83	57/61	700
	17023HA(1)1BML(C)	Ball	110/120	50/60	0.27/0.23	27/26	2800/3300	180/210 120/150 正轉 反轉 (corotation) (reversion)	0.62/0.83 0.56/0.77 正轉 反轉 (corotation) (reversion)	57/61	700
KAI7023HA(1)2-2(IP55)Mg	17023HA(1)1BML(A)	Ball	110/120	50/60	0.27/0.23	27/26	2800/3300	180/210	0.62/0.83	57/61	700
	17023HA(1)2BMT(L)	Ball	220/240	50/60	0.13/0.12	27/26	2800/3300	180/210	0.62/0.83	57/61	700
	17023HA(1)2BML(C)	Ball	220/240	50/60	0.13/0.12	27/26	2800/3300	180/210 120/150 正轉 反轉 (corotation) (reversion)	0.62/0.83 0.56/0.77 正轉 反轉 (corotation) (reversion)	57/61	700
	17023HA(1)2BML(A)	Ball	220/240	50/60	0.13/0.12	27/26	2800/3300	180/210	0.64/0.85	57/61	700

說明: 1. 表中 (1) 代表單相
 2. 表中 (C) 代表正反轉功能 (此機型為引線式, 線長310mm, 採用符合UL1332#, 24AWG, 200°C之黑色線, 引線為三線式: "00-01" 正轉, "00-02" 反轉)
 3. 表中 (A) 代表發警功能 (a. 發警功能採用無牙觸點式 b. 此機型為端子式, 發警信號線長310mm, 採用符合UL1332#, 24AWG, 200°C之黃色線)
 Note: 1. (1) represent single-phase
 2. (C) represent the function of corotation and rollback (this fan is lead wire style, adopting 3 black wires with each of the length 310mm which meet UL 1332#, 24AWG, 200°C standard
 "00-01" corotation "00-02" reversion) in the form.
 3. (A) represent the function of fan with warning signal output (a. This warning function adopt passive adherent point type; b. This fan is terminal type, warning signal output adopting yellow wire
 with the length 310mm which meet UL 1332#, 24AWG, 200°C standard) in the form.

AC FANS 交流軸流風機系列

PART-1.1

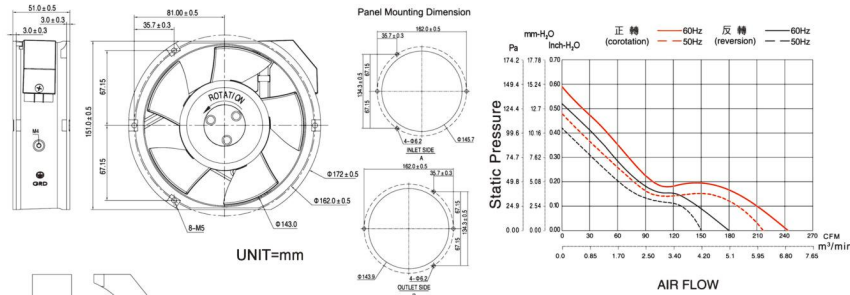
KAU®

KA I 7025/Mg SERIES

172×150×51mm

KA I 7025/Mg SERIES

22



型號 Model	Part No. Terminal Leadwire	軸承類別 Bearing System	電壓 Rated Voltage(V)	頻率 Freq (Hz)	電流 Current (A)	功率 Input Power(W)	轉速 Speed (rpm)	風量 Air Flow (CFM)	靜壓 Static Pressure (inch-H ₂ O)	噪音值 Noise Level(dB-A)	重量 Weight (g)
KA I 7025HA(1)1-2/Mg	17025HA(1)1BMT(L)	Ball	110/120	50/60	0.25/0.26	27/30	2800/3300	218/245	0.48/0.59	59/62	860
	17025HA(1)1BML(C)	Ball	110/120	50/60	0.25/0.26	27/30	2800/3300	218/245 150/180 正轉 (corotation) 反轉 (reversion)	0.48/0.59 0.42/0.52 正轉 (corotation) 反轉 (reversion)	59/62	860
KA I 7025HA(1)2-2/Mg	17025HA(1)2BMT(L)	Ball	220/240	50/60	0.12/0.13	27/30	2800/3300	218/245	0.48/0.59	59/62	860
	17025HA(1)2BML(C)	Ball	220/240	50/60	0.12/0.13	27/30	2800/3300	218/245 150/180 正轉 (corotation) 反轉 (reversion)	0.48/0.59 0.42/0.52 正轉 (corotation) 反轉 (reversion)	59/62	860
KA I 7025HA(3)3-2/Mg	17025HA(3)3BML	Ball	380/440	50/60	0.08/0.09	28/31	2800/3300	218/245	0.48/0.59	59/62	860
	17025HA(3)3BMT(A)	Ball	380/440	50/60	0.08/0.09	28/31	2800/3300	218/245	0.48/0.59	59/62	860

說明: 1. 表中 (L) 代表單相, (C) 代表三相
 2. 表中 (C) 代表正反轉功能 (此機型為引線式, 線長310mm, 採用符合UL1332#, 24AWG, 200°C之黑色線, 引線為三線式: "00-11" "00-12" "00-13" 正轉, 00-12反轉)
 3. 表中 (A) 代表靜音功能 (a. 靜音功能採用飛利浦黏貼式 b. 此機型為端子式, 警告信號線長310mm, 採用符合UL1332#, 24AWG, 200°C之黃色線)
 Note: 1. (L) represent single-phase, (C) represent triphase in the form.
 2. (C) represent the function of corotation and rollback. (this fan is lead wire style, adopting 3 black wires with each of the length 310mm which meet UL 1332#, 24AWG, 200°C standard "00-11" "00-12" "00-13" corotation "00-12" reversion) in the form.
 3. (A) represent the function of fan with warning signal output (a. This warning function adopt passive adherent point type; b. This fan is terminal type, warning signal output adopting yellow wire with the length 310mm which meet UL 1332#, 24AWG, 200°C standard) in the form.

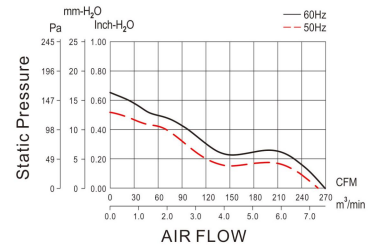
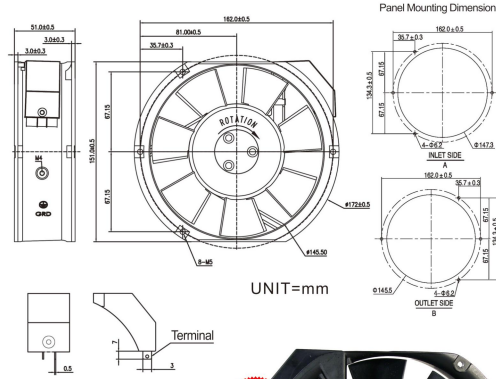
KAU

www.shkaku.com 最新數據資訊, 請于網上查詢! Please check our website in case any update information.

kaku

PART-1.1

AC FANS 交流軸流風機系列

KA 17025/Mg SERIESX-Flow (高風量) **172×150×51mm**KA 17025/Mg SERIES
X-Flow(高風量)

23



型號 Model	Part No. Terminal Leadwire	軸承類別 Bearing System	電壓 Rated Voltage(V)	頻率 Freq (Hz)	電流 Current (A)	功率 Input Power(W)	轉速 Speed (rpm)	風量 Air Flow (CFM)	靜壓 Static Pressure (Inch-H ₂ O)	噪音值 Noise Level(dB-A)	重量 Weight (g)
KA17025XA(1)1-2PC	17025XA(1)1BMT	Ball	110/120	50/60	0.40/0.46	60/65	2850/3300	254/268	0.52/0.65	62/65	860
	17025XA(1)1BMT(A)	Ball	110/120	50/60	0.40/0.46	60/65	2850/3300	254/268	0.52/0.65	62/65	860
KA17025XA(1)2-2PC	17025XA(1)2BMT	Ball	220/240	50/60	0.26/0.28	60/65	2850/3300	254/268	0.52/0.65	62/65	860
	17025XA(1)2BMT(A)	Ball	220/240	50/60	0.26/0.28	60/65	2850/3300	254/268	0.52/0.65	62/65	860
KA17025XA(3)3-2PC	17025XA(3)3BMT	Ball	380/400	50/60	0.13/0.16	60/65	2850/3300	254/268	0.52/0.65	62/65	860
	17025XA(3)3BMT(A)	Ball	380/400	50/60	0.13/0.16	60/65	2850/3300	254/268	0.52/0.65	62/65	860

說明: 1. 表中 (1) 代表單相

2. 表中 (A) 代表前置功能 (a. 前置功能採用無源觸點式 b. 此機型為插子式, 前置信號線長310mm, 採用符合UL1332#, 24AWG, 200°C之黃色線)

Note: 1. (1) represent single-phase

2. (A) represent the function of fan with warning signal output (a. This warning function adopt passive adherent point type; b. This fan is terminal type, warning signal output adopting yellow wire with the length 310mm which meet UL 1332#, 24AWG, 200°C standard) in the form.

kaku

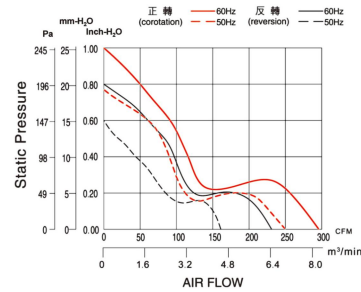
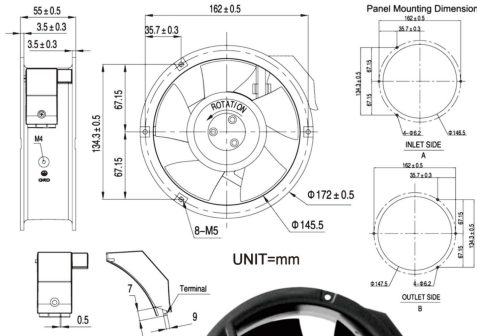
最新數據資訊, 請于網上查閱! Please check our website in case any update information. www.shikaku.com

KAI 725/5 IP55/Mg SERIES

Ø172×55mm

KAI 725/5 IP55/Mg SERIES

24



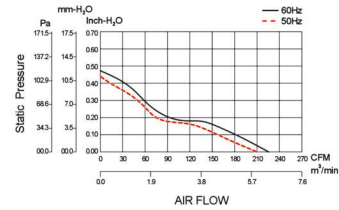
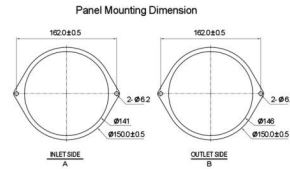
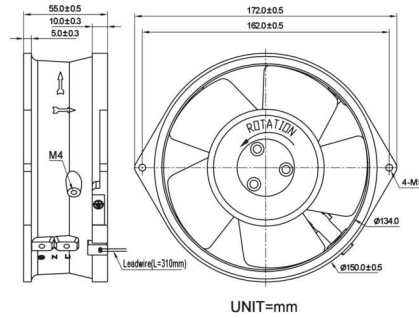
IP55

型號 Model	Part No. Terminal Leads	軸承類別 Bearing System	電壓 Rated Voltage(V)	頻率 Freq (Hz)	電流 Current (A)	功率 Input Power(W)	轉速 Speed (rpm)	風量 Air Flow (CFM)	靜壓 Static Pressure (inch-H ₂ O)	噪音值 Noise Level(dB-A)	重量 Weight (g)
KAI725/5HA(1)1-2(IP55)/Mg	1725/5HA(1)1BMT(L)	Ball	110/120	50/60	0.32/0.30	31/34	2800/3300	250/297	0.77/1.00	60/64	1000
	1725/5HA(1)1BML(C)	Ball	110/120	50/60	0.32/0.30	31/34	2800/3300	250/297 160/230 (corotation) (reversion)	0.77/1.00 0.60/0.80 (corotation) (reversion)	60/64	1000
KAI725/5HA(1)2-2(IP55)/Mg	1725/5HA(1)2BMT(L)	Ball	220/240	50/60	0.12/0.14	25/31	2800/3300	250/297	0.77/1.00	60/64	1000
	1725/5HA(1)2BML(A)	Ball	220/240	50/60	0.12/0.14	25/31	2800/3300	250/297 160/230 (corotation) (reversion)	0.77/1.00 0.60/0.80 (corotation) (reversion)	60/64	1000
KAI725/5HA(3)3-2(IP55)/Mg	1725/5HA(3)3BML	Ball	380/400	50/60	0.09/0.09	29/32	2900/3400	250/297	0.77/1.00	60/64	1000
	1725/5HA(3)3BML(A)	Ball	380/400	50/60	0.09/0.09	29/32	2900/3400	250/297	0.77/1.00	60/64	1000

說明: 1. 表中 (1) 代表單相, (3) 代表三相
 2. 表中 (C) 代表正反转功能 (此機型為引線式, 線長310mm, 採用符合UL1332#, 24AWG, 200°C之黑色線, 引線為三線式: "□□□" 正轉, □-□反轉)
 3. 表中 (A) 代表警告功能 (a. 警告功能採用無差觸點式 b. 此機型為端子式, 警告信號線長310mm, 採用符合UL1332#, 24AWG, 200°C之黃色線)
 Note: 1. (1) represent single-phase, (3) represent three-phase in the form.
 2. (C) represent the function of corotation and rollback. (this fan is lead wire style, adopting 3 black wires with each of the length 310mm which meet UL 1332#, 24AWG, 200°C standard □□□ corotation □-□ reversion) in the form.
 3. (A) represent the function of fan with warning signal output (a. This warning function adopt passive adherent point type; b. This fan is terminal type, warning signal output adopting yellow wire with the length 310mm which meet UL 1332#, 24AWG, 200°C standard) in the form.

KA1725/5 IP55/Mg SERIES

172 × 150 × 55mm



型號 Model	Part No. Terminal Leadwire	軸承類別 Bearing System	電壓 Rated Voltage(V)	頻率 Freq (Hz)	電流 Current (A)	功率 Input Power(W)	轉速 Speed (rpm)	風量 Air Flow (CFM)	靜壓 Static Pressure (mm-H ₂ O)	噪音值 Noise Level(dB-A)	重量 Weight (g)
KA1725/5HA1-2(IP55)/Mg	KA1725/5HA1BML	Ball	110/120	50/60	0.48/0.44	45/42	2600/2900	210/230	0.45/0.47	58/60	980
KA1725/5HA2-2(IP55)/Mg	KA1725/5HA2BML	Ball	220/240	50/60	0.28/0.25	45/42	2600/2900	210/230	0.45/0.47	58/60	980
KA1725/5HA3-2(IP55)/Mg	KA1725/5HA3BML	Ball	380/400	50/60	0.20/0.18	46/43	2600/2900	210/230	0.45/0.47	58/60	980

AC FANS 交流軸流風機系列

PART-1.1

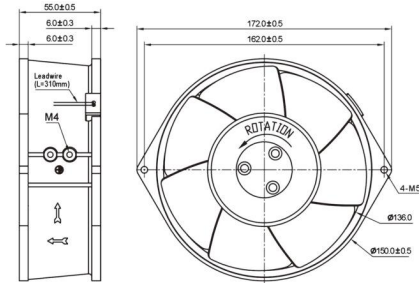
kaku

KA1725/5 IP55/Mg SERIES

172×150×55mm

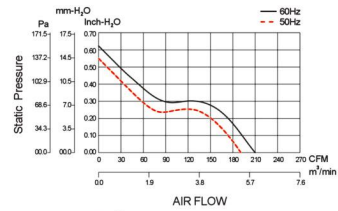
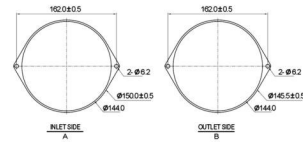
KA1725/5 IP55/Mg SERIES

26



UNIT=mm

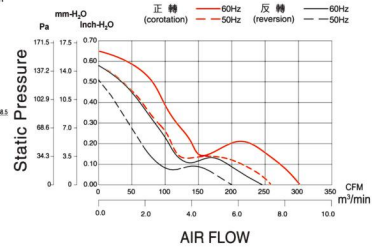
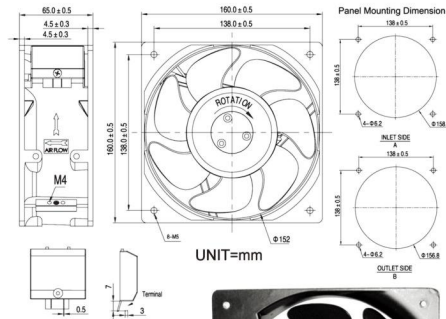
Panel Mounting Dimension



型號 Model	Part No. Terminal Leadwire	軸承類別 Bearing System	電壓 Rated Voltage(V)	頻率 Freq (Hz)	電流 Current (A)	功率 Input Power(W)	轉速 Speed (rpm)	風量 Air Flow (CFM)	靜壓 Static Pressure (PchH ₂ O)	噪音值 Noise Level(dB-A)	重量 Weight (g)
KA1725/5[HA1-2](IP55)/Mg	KA1725/5[HA1]BML	Ball	110/120	50/60	0.48/0.44	45/42	2600/2900	190/210	0.55/0.62	55/58	960
KA1725/5[HA2-2](IP55)/Mg	KA1725/5[HA2]BML	Ball	220/240	50/60	0.28/0.25	45/42	2600/2900	190/210	0.55/0.62	55/58	960
KA1725/5[HA3-2](IP55)/Mg	KA1725/5[HA3]BML	Ball	380/400	50/60	0.20/0.18	46/43	2600/2900	190/210	0.55/0.62	55/58	960

kaku

www.shkaku.com 最新數據資訊，請于網上查詢！Please check our website in case any update information.



型號 Model	Part No. Terminal Leadwire	軸承類別 Bearing System	電壓 Rated Voltage(V)	頻率 Freq (Hz)	電流 Current (A)	功率 Input Power(W)	轉速 Speed (rpm)	風量 Air Flow (CFM)	靜壓 Static Pressure (mm-H ₂ O)	噪音值 Noise Level(dB-A)	重量 Weight (g)
KAI1606HA(1)1-2/Mg	1606HA(1)1BMT(L)	Ball	110/120	50/60	0.31/0.31	32/36	2800/3300	259/302	0.58/0.65	59/63	1130
	1606HA(1)1BML(C)	Ball	110/120	50/60	0.31/0.31	32/36	2800/3300	259/302 200/240 正轉 (corotation) 反轉 (reversion)	0.51/0.58 正轉 (corotation) 反轉 (reversion)	59/63	1130
	1606HA(1)1BML(A)	Ball	110/120	50/60	0.31/0.31	32/36	2800/3300	259/302	0.58/0.65	59/63	1130
KAI1606HA(1)2-2/Mg	1606HA(1)2BMT(L)	Ball	220/240	50/60	0.12/0.14	27/33	2800/3300	259/302	0.58/0.65	59/63	1130
	1606HA(1)2BML(C)	Ball	220/240	50/60	0.12/0.14	27/33	2800/3300	259/302 200/240 正轉 (corotation) 反轉 (reversion)	0.51/0.58 正轉 (corotation) 反轉 (reversion)	59/63	1130
	1606HA(1)2BML(A)	Ball	220/240	50/60	0.12/0.14	27/33	2800/3300	259/302	0.58/0.65	59/63	1130
KAI1606HA(3)3-2/Mg	1606HA(3)3BML	Ball	380/400	50/60	0.08/0.09	29/33	2800/3300	259/302	0.58/0.65	59/63	1130
	1606HA(3)3BML(A)	Ball	380/400	50/60	0.08/0.09	29/33	2800/3300	259/302	0.58/0.65	59/63	1130

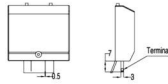
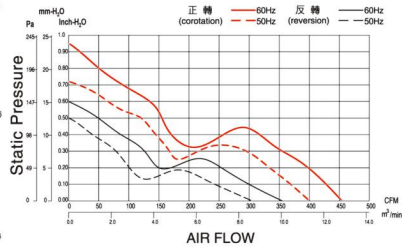
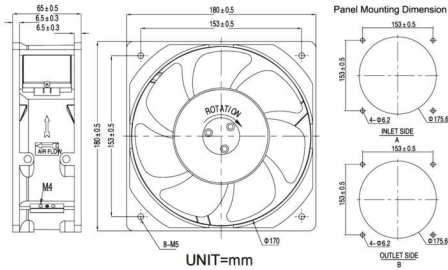
說明: 1. 表中 (1) 代表單相, (3) 代表三相
 2. 表中 (C) 代表正反轉功能 (此機型為引線式, 線長310mm, 採用符合UL1332#, 24AWG, 200°C之黑色線, 引線為三線式 "00-01-02" 正轉, 00-02 反轉)
 3. 表中 (A) 代表警告功能 (a. 警告功能採用無牙觸點式, b. 此機型為端子式, 警告信號線長310mm, 採用符合UL1332#, 24AWG, 200°C之黃色線)
 Note: 1. (1) represent single-phase, (3) represent three-phase in the form.
 2. (C) represent the function of corotation and rollback (this fan is lead wire style, adopting 3 black wires with each of the length 310mm which meet UL 1332#, 24AWG, 200°C standard [00-01] corotation [00-02] reversion) in the form.
 3. (A) represent the function of fan with warning signal output (a. This warning function adopt passive adherent point type; b. This fan is terminal type, warning signal output adopting yellow wire with the length 310mm which meet UL 1332#, 24AWG, 200°C standard) in the form.

KAI 806/Mg SERIES

180×180×65mm

KAI 806/Mg SERIES

28



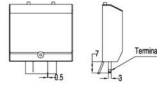
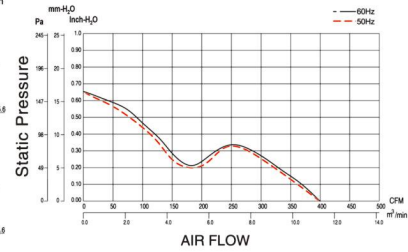
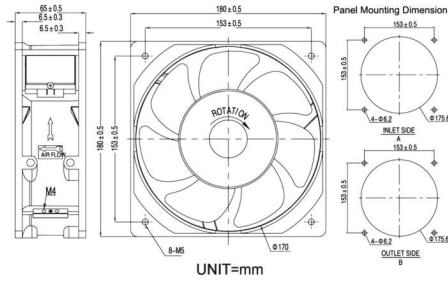
型號 Model	Part No. Terminal Leadwire	軸承類別 Bearing System	電壓 Rated Voltage(V)	頻率 Freq. (Hz)	電流 Current (A)	功率 Input Power(W)	轉速 Speed (rpm)	風量 Air Flow (CFM)	靜壓 Static Pressure (inch-H ₂ O)	噪音值 Noise Level(dB-A)	重量 Weight (g)
KA1806HA(1)1-2/Mg	1806HA(1)1BMT(L)	Ball	110/120	50/60	0.53/0.51	56/58	2800/3200	399/458	0.72/0.95	61/65	1450
	1806HA(1)1BML(C)	Ball	110/120	50/60	0.53/0.51	56/58	2800/3200	399/458 310/360 正轉 (corotation) 反轉 (reversion)	0.72/0.95 0.50/0.60 正轉 (corotation) 反轉 (reversion)	61/65	1450
	1806HA(1)1BML(A)	Ball	110/120	50/60	0.53/0.51	56/58	2800/3200	399/458	0.72/0.95	61/65	1450
KA1806HA(1)2-2/Mg	1806HA(1)2BMT(L)	Ball	220/240	50/60	0.26/0.25	55/56	2800/3200	399/458	0.72/0.95	61/65	1450
	1806HA(1)2BML(C)	Ball	220/240	50/60	0.26/0.25	55/56	2800/3200	399/458 310/360 正轉 (corotation) 反轉 (reversion)	0.72/0.95 0.50/0.60 正轉 (corotation) 反轉 (reversion)	61/65	1450
KA1806HA(3)3-2/Mg	1806HA(1)2BML(A)	Ball	220/240	50/60	0.26/0.25	55/56	2800/3200	399/458	0.72/0.95	61/65	1450
	1806HA(3)3BML	Ball	380/440	50/60	0.12/0.11	50/57	2800/3200	399/458	0.72/0.95	61/65	1450
	1806HA(3)3BML(A)	Ball	380/440	50/60	0.12/0.11	50/57	2800/3200	399/458	0.72/0.95	61/65	1450

說明: 1. 表中 (1) 代表單相, (3) 代表三相
2. 表中 (C) 代表正反轉功能, 此種型號引線式, 線長310mm, 採用符合UL1332#, 24AWG, 200°C之黑色線, 引線線二種式: ①-①正轉, ②-②反轉
3. 表中 (A) 代表警告功能 (a. 警告功能採用無源觸點式, b. 此種型號線長310mm, 採用符合UL1332#, 24AWG, 200°C之黃色線)

Note: 1. (1) represent single-phase, (3) represent triphase in the form.
2. (C) represent the function of corotation and rollback, (this fan is lead wire style, adopting 3 black wires with each of the length 310mm which meet UL 1332#, 24AWG, 200°C standard ①-① corotation ②-② reversion) in the form.
3. (A) represent the function of fan with warning signal output (a. This warning function adopt passive adherent point type; b. This fan is terminal type, warning signal output adopting yellow wire with the length 310mm which meet UL 1332#, 24AWG, 200°C standard) in the form.

KAKU.

www.shkaku.com 最新數據資訊, 請于網上查詢! Please check our website in case any update information.



型號 Model	Part No. Terminal Leadwire	軸承類別 Bearing System	電壓 Rated Voltage(V)	頻率 Freq (Hz)	電流 Current (A)	功率 Input Power(W)	轉速 Speed (rpm)	風量 Air Flow (CFM)	靜壓 Static Pressure (inch-H ₂ O)	噪音值 Noise Level(dB-A)	重量 Weight (g)
KA1806HA1-2/Mg	1806HA1BMT(L)	Ball	110/120	50/60	1.21/1.05	71/70	2600/2600	380/380	0.65/0.65	60/60	1450
KA1806HA2-2/Mg	1806HA2BMT(L)	Ball	220/240	50/60	0.59/0.52	70/69	2600/2600	380/380	0.65/0.65	60/60	1450
KA1806HA3-2/Mg	1806HA3BMT(L)	Ball	380/400	50/60	0.36/0.31	71/70	2600/2600	380/380	0.65/0.65	60/60	1450

AC FANS 交流軸流風機系列

PART-1.1

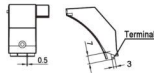
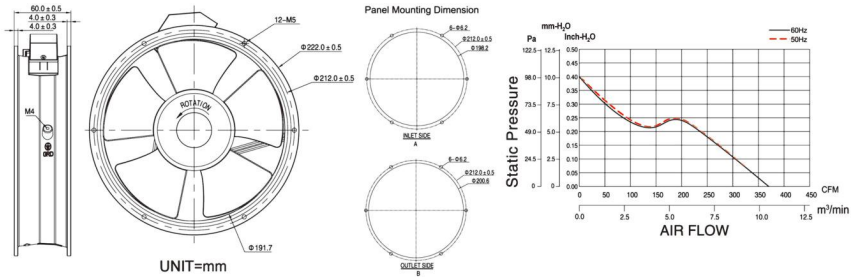
KAKU

KA2206/Mg SERIES

Ø222×60mm

KA2206/Mg SERIES

30



型號 Model	Part No. Terminal Leadwire	軸承類別 Bearing System	電壓 Rated Voltage(V)	頻率 Freq (Hz)	電流 Current (A)	功率 Input Power(W)	轉速 Speed (rpm)	風量 Air Flow (CFM)	靜壓 Static Pressure (inch-H ₂ O)	噪音值 Noise Level(dB-A)	重量 Weight (g)
KA2206HA1-2/Mg	2206HA1BMT(L)	Ball	110/120	50/60	0.80/0.70	53/53	2500/2500	360/360	0.40/0.40	59/59	1310
	2206HA1BML(A)	Ball	110/120	50/60	0.80/0.70	53/53	2500/2500	360/360	0.40/0.40	59/59	1310
KA2206HA2-2/Mg	2206HA2BMT(L)	Ball	220/240	50/60	0.29/0.27	53/53	2500/2500	360/360	0.40/0.40	59/59	1310
	2206HA2BML(A)	Ball	220/240	50/60	0.29/0.27	53/53	2500/2500	360/360	0.40/0.40	59/59	1310
KA2206HA3-2/Mg	2206HA3BML	Ball	380/400	50/60	0.15/0.15	53/53	2500/2500	360/360	0.40/0.40	59/59	1310
	2206HA3BML(A)	Ball	380/400	50/60	0.15/0.15	53/53	2500/2500	360/360	0.40/0.40	59/59	1310

說明: 1. 表中 (A) 代表警告功能 (a. 警告功能採用無源觸點式 b. 此機型為端子式, 警告信號線長310mm, 採用符合UL1332#, 24AWG, 200°C之黃色線)

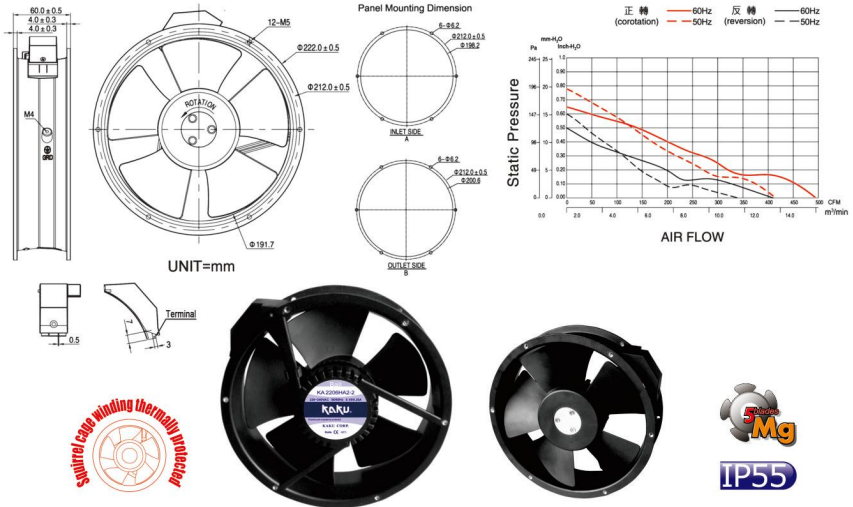
Note: 1. (A) represent the function of fan with warning signal output (a. This warning function adopt passive adherent point type; b. This fan is terminal type, warning signal output adopting yellow wire with the length 310mm which meet UL 1332#, 24AWG, 200°C standard) in the form.

KAKU

www.shkaku.com 最新數據資訊, 請于網上查詢! Please check our website in case any update information.

KA2206 IP55/Mg SERIES

Ø222×60mm



KA2206 IP55/Mg SERIES

3 |

型號 Model	Part No. Terminal Leadwire	軸承類別 Bearing System	電壓 Rated Voltage(V)	頻率 Freq (Hz)	電流 Current (A)	功率 Input Power(W)	轉速 Speed (rpm)	風量 Air Flow (CFM)	靜壓 Static Pressure (inch-H ₂ O)	噪音值 Noise Level(dB-A)	重量 Weight (g)
KA2206HA(1)1-2(IP55)/Mg	2206HA(1)1BMT(L)	Ball	110/120	50/60	0.35/0.43	40/48	2800/3300	427/490	0.78/0.65	63/68	1220
	2206HA(1)1BML(C)	Ball	110/120	50/60	0.35/0.43	40/48	2800/3300	427/490 340/410 正轉 反轉 (corotation) (reversion)	0.78/0.65 0.50/0.60 正轉 反轉 (corotation) (reversion)	63/68	1220
KA2206HA(1)2-2(IP55)/Mg	2206HA(1)1BML(A)	Ball	110/120	50/60	0.35/0.43	40/48	2800/3300	427/490	0.78/0.65	63/68	1220
	2206HA(1)2BMT(L)	Ball	220/240	50/60	0.18/0.25	40/53	2800/3300	427/490	0.78/0.65	63/68	1220
KA2206HA(1)2-2(IP55)/Mg	2206HA(1)2BML(C)	Ball	220/240	50/60	0.18/0.25	40/53	2800/3300	427/490 340/410 正轉 反轉 (corotation) (reversion)	0.78/0.65 0.50/0.60 正轉 反轉 (corotation) (reversion)	63/68	1220
	2206HA(1)2BML(A)	Ball	220/240	50/60	0.18/0.25	40/53	2800/3300	427/490	0.78/0.65	63/68	1220
KA2206HA(3)3-2(IP55)/Mg	2206HA(3)3BML	Ball	380/400	50/60	0.08/0.09	42/55	2800/3300	427/490	0.78/0.65	63/68	1220
	2206HA(3)3BML(A)	Ball	380/400	50/60	0.08/0.09	42/55	2800/3300	427/490	0.78/0.65	63/68	1220

說明: 1. 表中 (1) 代表單相, (3) 代表三相
 2. 表中 (C) 代表正反轉功能 (此機型為引線式, 線長310mm, 採用符合UL1332#, 24AWG, 200°C之黑色線, 引線為三線式: "00" "01" 正轉, "00" "02" 反轉)
 3. 表中 (A) 代表警告功能 (a. 警告功能採用無牙觸點式, b. 此機型為端子式, 警告信號線長310mm, 採用符合UL1332#, 24AWG, 200°C之黃色線)
 Note: 1. (1) represent single-phase, (3) represent three phase in the form.
 2. (C) represent the function of corotation and rollback. (this fan is lead wire style, adopting 3 black wires with each of the length 310mm which meet UL 1332#, 24AWG, 200°C standard
 "00" "01" corotation "00" "02" reversion) in the form.
 3. (A) represent the function of fan with warning signal output (a. This warning function adopt passive adherent point type; b. This fan is terminal type, warning signal output adopting yellow wire with the length 310mm which meet UL 1332#, 24AWG, 200°C standard) in the form.

AC FANS 交流軸流風機系列

PART-1.1

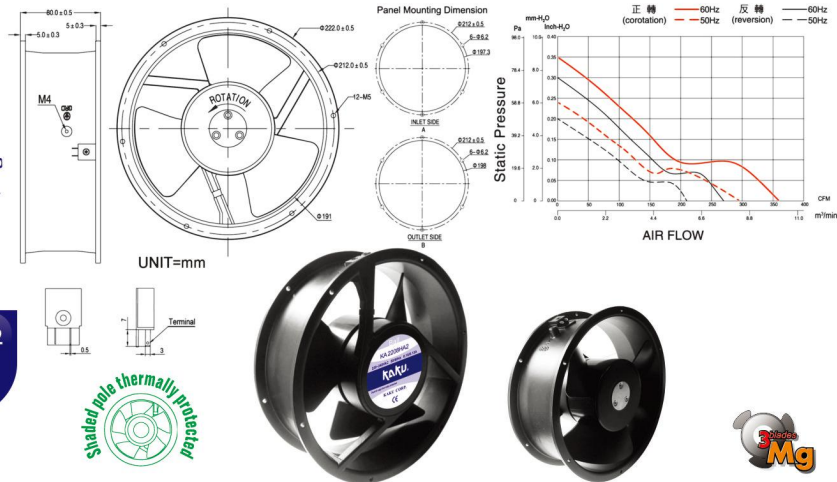
KAU

KA2208 4P/Mg SERIES

Ø222×80mm

KA2208 4P/Mg SERIES

32



型號 Model	Part No. Terminal Leadwire	軸承類別 Bearing System	電壓 Rated Voltage(V)	頻率 Freq (Hz)	電流 Current (A)	功率 Input Power(W)	轉速 Speed (rpm)	風量 Air Flow (CFM)	靜壓 Static Pressure (inch-H ₂ O)	噪音值 Noise Level(dB A)	重量 Weight (g)
KA2208HA(1)1-4/Mg	2208HA(1)1BMT(L)	Ball	110/120	50/60	0.63/0.60	39/36	1400/1700	296/358	0.24/0.35	53/56	1430
	2208HA(1)1BML(C)	Ball	110/120	50/60	0.28/0.24	28/27	1400/1700	296/358 210/270 正轉 反轉 (rotation) (reversion)	0.24/0.35 0.20/0.30 正轉 反轉 (rotation) (reversion)	53/56	1550
KA2208HA(1)2-4/Mg	2208HA(1)2BMT(L)	Ball	110/120	50/60	0.63/0.60	39/36	1400/1700	296/358	0.24/0.35	53/56	1430
	2208HA(1)2BML(C)	Ball	220/240	50/60	0.30/0.26	38/35	1400/1700	296/358	0.24/0.35	53/56	1430
KA2208HA(1)3-4/Mg	2208HA(1)3BMT(L)	Ball	220/240	50/60	0.15/0.13	27/31	1400/1700	296/358 210/270 正轉 反轉 (rotation) (reversion)	0.24/0.35 0.20/0.30 正轉 反轉 (rotation) (reversion)	53/56	1550
	2208HA(1)3BML(A)	Ball	220/240	50/60	0.30/0.26	38/35	1400/1700	296/358	0.24/0.35	53/56	1430
KA2208HA(3)3-4/Mg	2208HA(1)3BMT(L)	Ball	380/400	50/60	0.19/0.17	39/36	1400/1700	296/358	0.24/0.35	53/56	1430
	2208HA(1)3BML(A)	Ball	380/400	50/60	0.19/0.17	39/36	1400/1700	296/358	0.24/0.35	53/56	1430
KA2208HA(3)3-4/Mg	2208HA(3)3BMT(L)	Ball	380/400	50/60	0.08/0.07	30/29	1400/1700	296/358	0.24/0.35	53/56	1550
	2208HA(3)3BML(A)	Ball	380/400	50/60	0.08/0.07	30/29	1400/1700	296/358	0.24/0.35	53/56	1550

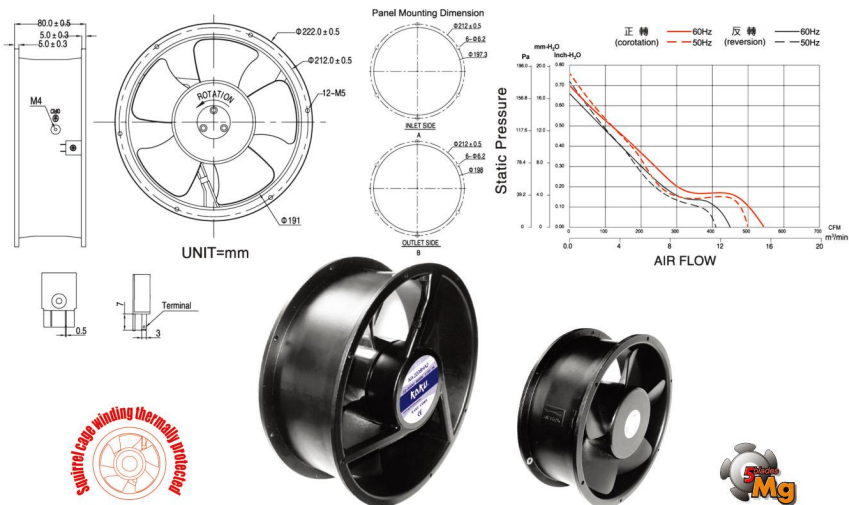
說明: 1. 表中 (1) 代表單相, (3) 代表三相
 2. 表中 (C) 代表正反轉功能 (此機型為引線式, 線長310mm, 採用符合UL1332#, 24AWG, 200°C之黑色線, 引線為三線式: "01 02" "01 02" 正轉, 02-01反轉)
 3. 表中 (A) 代表警告功能 (a) 警告功能採用飛線觸點式 b. 此機型為端子式, 警告信號線長310mm, 採用符合UL1332#, 24AWG, 200°C之黃色線)
 Note: 1. (1) represent single-phase, (3) represent three-phase in the form.
 2. (C) represent the function of corotation and rollback. (this fan is lead wire style, adopting 3 black wires with each of the length 310mm which meet UL 1332#, 24AWG, 200°C standard "01 02" "01 02" corotation "02-01" reversion) in the form.
 3. (A) represent the function of fan with warning signal output (a. This warning function adopt passive adherent point type; b. This fan is terminal type, warning signal output adopting yellow wire with the length 310mm which meet UL 1332#, 24AWG, 200°C standard) in the form.

KAU

www.shkaku.com 最新數據資訊, 請于網上查詢! Please check our website in case any update information.

KA2208 2P/Mg SERIES

Ø222×80mm



KA2208 2P/Mg SERIES

33

型號 Model	Part No. Terminal Leadwire	軸承類別 Bearing System	電壓 Rated Voltage(V)	頻率 Freq (Hz)	電流 Current (A)	功率 Input Power(W)	轉速 Speed (rpm)	風量 Air Flow (CFM)	靜壓 Static Pressure (inch-H ₂ O)	噪音值 Noise Level(dB-A)	重量 Weight (g)
KA2208HA(1)1-2/Mg	2208HA(1)1BMT(L)	Ball	110/120	50/60	0.50/0.60	54/67	2500/2600	500/545	0.76/0.70	67/68	1600
	2208HA(1)1BML(C)	Ball	110/120	50/60	0.50/0.60	54/67	2500/2600	500/545 410/450 正轉 反轉 (rotation) (reversion)	0.76/0.70 0.72/0.66 正轉 反轉 (rotation) (reversion)	67/68	1600
	2208HA(1)1BML(A)	Ball	110/120	50/60	0.50/0.60	54/67	2500/2600	500/545	0.76/0.70	67/68	1600
KA2208HA(1)2-2/Mg	2208HA(1)2BMT(L)	Ball	220/240	50/60	0.22/0.29	49/64	2500/2600	500/545	0.76/0.70	67/68	1600
	2208HA(1)2BML(C)	Ball	220/240	50/60	0.22/0.29	49/64	2500/2600	500/545 410/450 正轉 反轉 (rotation) (reversion)	0.76/0.70 0.72/0.66 正轉 反轉 (rotation) (reversion)	67/68	1600
	2208HA(1)2BML(A)	Ball	220/240	50/60	0.22/0.29	49/64	2500/2600	500/545	0.76/0.70	67/68	1600
KA2208HA(3)3-2/Mg	2208HA(3)3BML(A)	Ball	380/400	50/60	0.13/0.13	49/64	2500/2600	500/545	0.76/0.70	67/68	1600
	2208HA(3)3BML(A)	Ball	380/400	50/60	0.13/0.13	49/64	2500/2600	500/545	0.76/0.70	67/68	1600

說明: 1.表中 (1) 代表單相, (3) 代表三相
 2.表中 (C) 代表正反轉功能 (此機型為引線式, 線長310mm, 採用符合UL1332#, 24AWG, 200°C之黑色線, 引線為三線式 "00-01" 正轉, 00-02 反轉)
 3.表中 (A) 代表警告功能 (a. 警告功能採用無牙觸點式, b. 此機型為端子式, 警告信號線長310mm, 採用符合UL1332#, 24AWG, 200°C之黃色線)
 Note: 1. (1) represent single-phase, (3) represent tri-phase in the form.
 2. (C) represent the function of corotation and rollback. (this fan is lead wire style, adopting 3 black wires with each of the length 310mm which meet UL 1332#, 24AWG, 200°C standard
 00-01 corotation 00-02 reversion) in the form.
 3. (A) represent the function of fan with warning signal output (a. This warning function adopt passive adherent point type; b. This fan is terminal type, warning signal output adopting yellow wire
 with the length 310mm which meet UL 1332#, 24AWG, 200°C standard) in the form.

AC FANS 交流軸流風機系列

PART-1.1

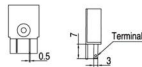
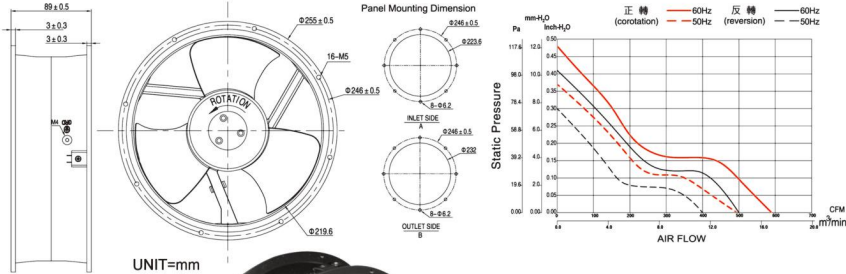
KAKU

KA2509 4P IP55/Mg SERIES

Ø254 × 89mm

KA2205 4P IP55/Mg SERIES

34



IP55

型號 Model	Part No. Terminal Leadwire	軸承類別 Bearing System	電壓 Rated Voltage(V)	頻率 Freq (Hz)	電流 Current (A)	功率 Input Power(W)	轉速 Speed (rpm)	風量 Air Flow (CFM)	靜壓 Static Pressure (inch-H ₂ O)	噪音值 Noise Level(dB-A)	重量 Weight (g)
KA2509HA(1)14(IP55)/Mg	2509HA(1)1BMT(L)	Ball	110/120	50/60	0.65/0.60	43/44	1400/1700	495/589	0.37/0.48	53/56	1680
	2509HA(1)1BML(C)	Ball	110/120	50/60	0.25/0.23	27/31	1400/1700	495/589 400/500 (corotation) (reversion)	0.37/0.48 0.30/0.41 正轉 反轉 (corotation) (reversion)	53/56	1910
KA2509HA(1)24(IP55)/Mg	2509HA(1)1BMT(L)	Ball	110/120	50/60	0.65/0.60	43/44	1400/1700	495/589	0.37/0.48	53/56	1680
	2509HA(1)2BMT(L)	Ball	220/240	50/60	0.31/0.29	43/44	1400/1700	495/589	0.37/0.48	53/56	1680
KA2509HA(1)24(IP55)/Mg	2509HA(1)2BML(A)	Ball	220/240	50/60	0.13/0.12	27/31	1400/1700	495/589 400/500 (corotation) (reversion)	0.37/0.48 0.30/0.41 正轉 反轉 (corotation) (reversion)	53/56	1910
	2509HA(1)2BML(A)	Ball	220/240	50/60	0.31/0.29	43/44	1400/1700	495/589	0.37/0.48	53/56	1680
KA2509HA(1)34(IP55)/Mg	2509HA(1)3BMT(L)	Ball	380/400	50/60	0.20/0.18	43/44	1400/1700	495/589	0.37/0.48	53/56	1680
	2509HA(1)3BML(A)	Ball	380/400	50/60	0.20/0.18	43/44	1400/1700	495/589	0.37/0.48	53/56	1680
KA2509HA(3)34(IP55)/Mg	2509HA(3)3BML	Ball	380/400	50/60	0.09/0.07	30/29	1400/1700	495/589	0.37/0.48	53/56	1910
	2509HA(3)3BML(A)	Ball	380/400	50/60	0.09/0.07	30/29	1400/1700	495/589	0.37/0.48	53/56	1910

說明: 1. 表中 (1) 代表單相, (3) 代表三相
2. 表中 (C) 代表正反轉功能 (此機型為引線式, 線長310mm, 採用符合UL1332#, 24AWG, 200°C之黑色線, 引線為三線式: "01 02" "01 03" 正轉, "02 03" 反轉)
3. 表中 (A) 代表警告功能 (a) 警告功能採用飛線觸點式 b. 此機型為端子式, 警告信號線長310mm, 採用符合UL1332#, 24AWG, 200°C之黃色線)

Note: 1. (1) represent single-phase, (3) represent triphase in the form.

2. (C) represent the function of corotation and rollback. (this fan is lead wire style, adopting 3 black wires with each of the length 310mm which meet UL 1332#, 24AWG, 200°C standard [01 02] [01 03] corotation [02 03] reversion) in the form.

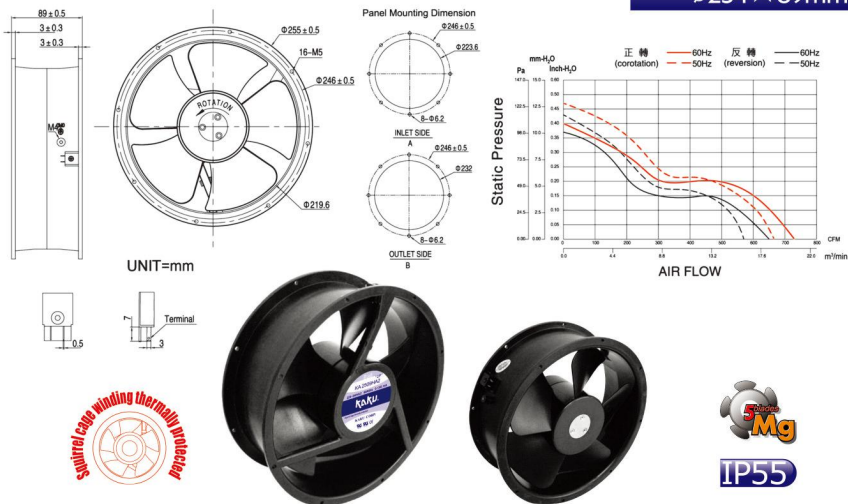
3. (A) represent the function of fan with warning signal output (a. This warning function adopt passive adherent point type; b. This fan is terminal type, warning signal output adopting yellow wire with the length 310mm which meet UL 1332#, 24AWG, 200°C standard) in the form.

KAKU

www.shkaku.com 最新數據資訊, 請于網上查詢! Please check our website in case any update information.

KA2509 2P IP55/Mg SERIES

Ø254×89mm



KA2509 2P IP55/Mg SERIES

35

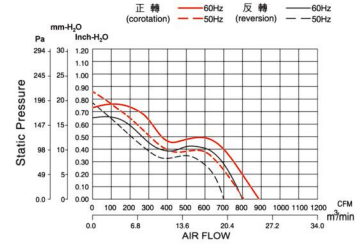
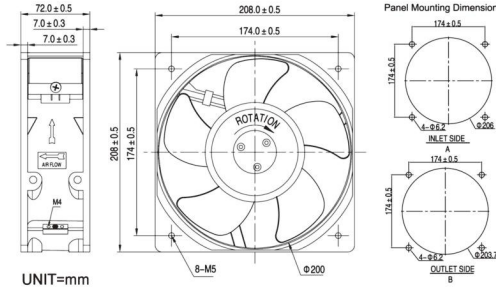
型號 Model	Part No. Terminal Leadwire	軸承類別 Bearing System	電壓 Rated Voltage(V)	頻率 Freq (Hz)	電流 Current (A)	功率 Input Power(W)	轉速 Speed (rpm)	風量 Air Flow (CFM)	靜壓 Static Pressure (mm-H ₂ O)	噪音值 Noise Level(dB-A)	重量 Weight (g)
KA2509HA(1)1-2(IP55)/Mg	2509HA(1)1BMT(L)	Ball	110/120	50/60	0.45/0.56	50/63	2500/2600	666/730	0.47/0.40	66/67	1940
	2509HA(1)1BML(C)	Ball	110/120	50/60	0.45/0.56	50/63	2500/2600	666/730 570/650 正轉 反轉 (corotation) (reversion)	0.47/0.40 0.43/0.37 正轉 反轉 (corotation) (reversion)	66/67	1940
KA2509HA(1)2-2(IP55)/Mg	2509HA(1)1BML(A)	Ball	110/120	50/60	0.45/0.56	50/63	2500/2600	666/730	0.47/0.40	66/67	1940
	2509HA(1)2BMT(L)	Ball	220/240	50/60	0.22/0.28	50/64	2500/2600	666/730	0.47/0.40	66/67	1940
KA2509HA(1)2-2(IP55)/Mg	2509HA(1)2BML(C)	Ball	220/240	50/60	0.22/0.28	50/64	2500/2600	666/730 570/650 正轉 反轉 (corotation) (reversion)	0.47/0.40 0.43/0.37 正轉 反轉 (corotation) (reversion)	66/67	1940
	2509HA(1)2BML(A)	Ball	220/240	50/60	0.22/0.28	50/64	2500/2600	666/730	0.47/0.40	66/67	1940
KA2509HA(3)3-2(IP55)/Mg	2509HA(3)3BML	Ball	380/400	50/60	0.14/0.14	50/63	2500/2600	666/730	0.47/0.40	66/67	1940
	2509HA(3)3BML(A)	Ball	380/400	50/60	0.14/0.14	50/63	2500/2600	666/730	0.47/0.40	66/67	1940

說明: 1. 表中 (1) 代表單相, (3) 代表三相
 2. 表中 (C) 代表正反轉功能 (此機型為引線式, 線長310mm, 採用符合UL1332#, 24AWG, 200°C之黑色線, 引線為三線式 "0-0-0" 正轉, 0-0-2 反轉)
 3. 表中 (A) 代表靜音功能 (a. 靜音功能採用無源觸點式, b. 此機型為端子式, 靜音信號線長310mm, 採用符合UL1332#, 24AWG, 200°C之黃色線)
 Note: 1. (1) represent single-phase, (3) represent three-phase in the form.
 2. (C) represent the function of corotation and rollback (this fan is lead wire style, adopting 3 black wires with each of the length 310mm which meet UL 1332#, 24AWG, 200°C standard "0-0-0" corotation "0-0-2" reversion) in the form.
 3. (A) represent the function of fan with warning signal output (a. This warning function adopt passive adherent point type; b. This fan is terminal type, warning signal output adopting yellow wire with the length 310mm which meet UL 1332#, 24AWG, 200°C standard) in the form.

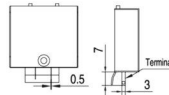
KA2072/PC SERIES

208 × 208 × 72mm

KA2072/PC SERIES



36



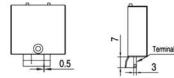
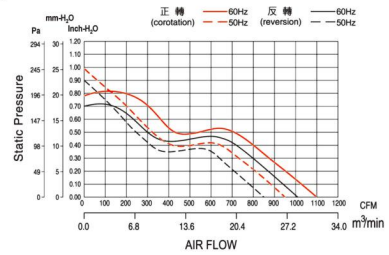
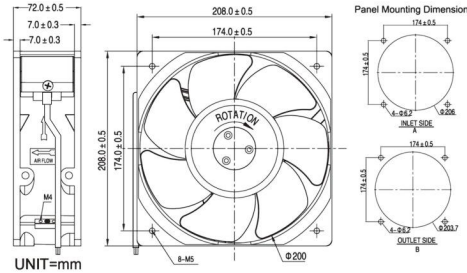
型號 Model	Part No. Terminal Leadwire	軸承類別 Bearing System	電壓 Rated Voltage(V)	頻率 Freq (Hz)	電流 Current (A)	功率 Input Power(W)	轉速 Speed (rpm)	風量 Air Flow (CFM)	靜壓 Static Pressure (mm-H ₂ O)	噪音值 Noise Level(dB-A)	重量 Weight (g)
KA2072HA(1)1-2/PC	2072HA(1)1BMT(L)	Ball	110/120	50/60	0.65/0.85	68/97	2900/3300	808/888	0.86/0.73	69/72	2110
	2072HA(1)1BML(C)	Ball	110/120	50/60	0.65/0.85	68/97	2900/3300	808/888 700/800 (rotation) (reversion)	0.86/0.73 0.77/0.65 正轉 反轉 (rotation) (reversion)	69/72	2110
KA2072HA(1)2-2/PC	2072HA(1)2BMT(L)	Ball	220/240	50/60	0.34/0.43	68/97	2900/3300	808/888	0.86/0.73	69/72	2110
	2072HA(1)2BML(C)	Ball	220/240	50/60	0.34/0.43	68/97	2900/3300	808/888 700/800 (rotation) (reversion)	0.86/0.73 0.77/0.65 正轉 反轉 (rotation) (reversion)	69/72	2110
KA2072HA(3)3-2/PC	2072HA(3)3BML(A)	Ball	380/400	50/60	0.13/0.13	68/97	2900/3300	808/888	0.86/0.73	69/72	2110
	2072HA(3)3BML(A)	Ball	380/400	50/60	0.13/0.13	68/97	2900/3300	808/888	0.86/0.73	69/72	2110

說明: 1. 表中 (1) 代表單相, (3) 代表三相
2. 表中 (C) 代表正反轉功能 (此機型為引線式, 線長310mm, 採用符合UL1332#, 24AWG, 200°C之黑色線, 引線為三線式: "00-11-00" 0-11正轉, 00-02反轉)
3. 表中 (A) 代表警告功能 (a. 警告功能採用飛線觸點式 b. 此機型為端子式, 警告信號線長310mm, 採用符合UL1332#, 24AWG, 200°C之黃色線)

Note: 1. (1) represent single-phase, (3) represent three-phase in the form.

2. (C) represent the function of corotation and rollback. (this fan is lead wire style, adopting 3 black wires with each of the length 310mm which meet UL 1332#, 24AWG, 200°C standard 00-11 00-11 corotation 00-02 reversion) in the form.

3. (A) represent the function of fan with warning signal output (a. This warning function adopt passive adherent point type; b. This fan is terminal type, warning signal output adopting yellow wire with the length 310mm which meet UL 1332#, 24AWG, 200°C standard) in the form.



型號 Model	Part No. Terminal Leadwire	軸承類別 Bearing System	電壓 Rated Voltage(V)	頻率 Freq (Hz)	電流 Current (A)	功率 Input Power(W)	轉速 Speed (rpm)	風量 Air Flow (CFM)	靜壓 Static Pressure (Inch-H ₂ O)	噪音值 Noise Level(dB-A)	重量 Weight (g)
KA2072HA(1)1-2Mg	2072HA(1)1BML	Ball	110/120	50/60	0.70/0.90	85/115	2900/3400	950/1100	0.99/0.78	71/74	2250
	2072HA(1)1BML(C)	Ball	110/120	50/60	0.70/0.90	85/115	2900/3400	950/1100 850/1010 正轉 (corotation) 反轉 (reversion)	0.99/0.78 0.90/0.70 正轉 (corotation) 反轉 (reversion)	71/74	2250
KA2072HA(1)2-2Mg	2072HA(1)1BML(A)	Ball	110/120	50/60	0.70/0.90	85/115	2900/3400	950/1100	0.99/0.78	71/74	2250
	2072HA(1)2BML	Ball	220/240	50/60	0.38/0.50	85/115	2900/3400	950/1100	0.99/0.78	71/74	2250
KA2072HA(1)2-2Mg	2072HA(1)2BML(C)	Ball	220/240	50/60	0.38/0.50	85/115	2900/3400	950/1100 850/1010 正轉 (corotation) 反轉 (reversion)	0.99/0.78 0.90/0.70 正轉 (corotation) 反轉 (reversion)	71/74	2250
	2072HA(1)2BML(A)	Ball	220/240	50/60	0.38/0.50	85/115	2900/3400	950/1100	0.99/0.78	71/74	2250
KA2072HA(3)3-2Mg	2072HA(3)3BML	Ball	380/400	50/60	0.18/0.18	85/115	2900/3400	950/1100	0.99/0.78	71/74	2250
	2072HA(3)3BML(A)	Ball	380/400	50/60	0.18/0.18	85/115	2900/3400	950/1100	0.99/0.78	71/74	2250

說明: 1.表中 (1) 代表單相, (3) 代表三相
2.表中 (C) 代表正反轉功能 (此機型為引線式, 線長310mm, 採用符合UL1332#, 24AWG, 200°C之黑色線, 引線為三線式: ①①①①-①①-①① 正轉, ①①-①② 反轉)
3.表中 (A) 代表靜音功能 (a.靜音功能採用無牙觸點式, b.此機型為端子式, 線警告信號線長310mm, 採用符合UL1332#, 24AWG, 200°C之黃色線)

Note: 1. (1) represent single-phase, (3) represent three phase in the form.

2. (C) represent the function of corotation and rollback (this fan is lead wire style, adopting 3 black wires with each of the length 310mm which meet UL 1332#, 24AWG, 200°C standard ①①①①-①①-①① corotation ①①-①② reversion) in the form.
3. (A) represent the function of fan with warning signal output (a. This warning function adopt passive adherent point type; b. This fan is terminal type, warning signal output adopting yellow wire with the length 310mm which meet UL 1332#, 24AWG, 200°C standard) in the form.

AC FANS 交流軸流風機系列

PART-1.1

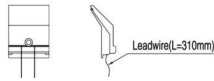
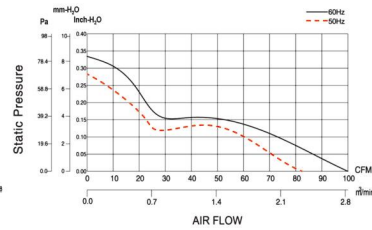
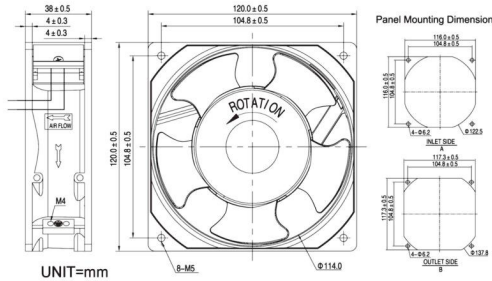
KAKU

KAI 238 H.T.R. SERIES

120×120×38mm H.T.R. (耐高溫)

KAI 238 H.T.R. SERIES
H.T.R. (耐高溫)

38



KA1238 H.T.R.100 耐高溫

專為100°C環境溫度下設計 Special design for environmental of 100°C

型號 Model	Part No. Terminal Leadwire	軸承類別 Bearing System	電壓 Rated Voltage(V)	頻率 Freq (Hz)	電流 Current (A)	功率 Input Power(W)	轉速 Speed (rpm)	風量 Air Flow (CFM)	靜壓 Static Pressure (inch-H ₂ O)	噪音值 Noise Level(dB-A)	重量 Weight (g)
KA1238HA1/H.T.R.100(IP55)/Mg	1238HA1BML	Ball	110/120	50/60	0.22/0.20	18/16	2700/3100	84/100	0.28/0.34	49/51	460
KA1238HA2/H.T.R.100(IP55)/Mg	1238HA2BML	Ball	220/240	50/60	0.12/0.10	18/16	2700/3100	84/100	0.28/0.34	49/51	460
KA1238HA3/H.T.R.100(IP55)/Mg	1238HA3BML	Ball	380/400	50/60	0.07/0.06	18/16	2700/3100	84/100	0.28/0.34	49/51	460

H.T.R.100°C (SGS Approval) (F Class Enamelled Wire Inside)
Test Report No.:SHRL70011/2008

KA1238 H.T.R.130 耐高溫

專為130°C環境溫度下設計 Special design for environmental of 130°C

型號 Model	Part No. Terminal Leadwire	軸承類別 Bearing System	電壓 Rated Voltage(V)	頻率 Freq (Hz)	電流 Current (A)	功率 Input Power(W)	轉速 Speed (rpm)	風量 Air Flow (CFM)	靜壓 Static Pressure (inch-H ₂ O)	噪音值 Noise Level(dB-A)	重量 Weight (g)
KA1238HA1/H.T.R.130(IP55)/Mg	1238HA1BML	Ball	110/120	50/60	0.22/0.20	18/16	2700/3100	84/100	0.28/0.34	49/51	460
KA1238HA2/H.T.R.130(IP55)/Mg	1238HA2BML	Ball	220/240	50/60	0.12/0.10	18/16	2700/3100	84/100	0.28/0.34	49/51	460
KA1238HA3/H.T.R.130(IP55)/Mg	1238HA3BML	Ball	380/400	50/60	0.07/0.06	18/16	2700/3100	84/100	0.28/0.34	49/51	460

H.T.R.130°C (SGS Approval) (H Class Enamelled Wire Inside)
Test Report No.:SHRL60012/2008

KAKU

www.shkaku.com 最新數據資訊，請于網上查詢！Please check our website in case any update information.

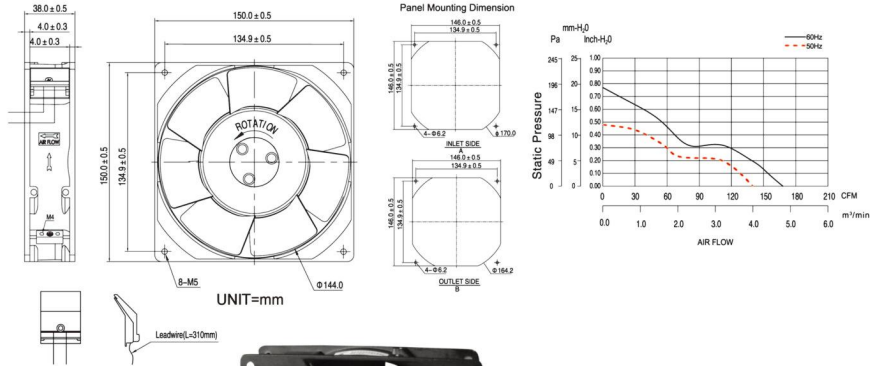
KAKU®

PART-1.1

AC FANS 交流軸流風機系列

KA1523 H.T.R. SERIES

H.T.R. (耐高溫) 150×150×38mm



KA1523 H.T.R. SERIES
H.T.R. (耐高溫)

39

專為100°C環境溫度下設計 Special design for environmental of 100°C

型號 Model	Part No. Terminal Leadwire	軸承類別 Bearing System	電壓 Rated Voltage(V)	頻率 Freq. (Hz)	電流 Current (A)	功率 Input Power(W)	轉速 Speed (rpm)	風量 Air Flow (CFM)	靜壓 Static Pressure (Inch-H ₂ O)	噪音值 Noise Level(dB-A)	重量 Weight (g)
KA1523HA1/H.T.R.100/Mg	1523HA1BML	Ball	110/120	50/60	0.45/0.37	43/34	2300/2500	140/168	0.48/0.77	55/56	630
KA1523HA2/H.T.R.100/Mg	1523HA2BML	Ball	220/240	50/60	0.27/0.22	44/35	2300/2500	140/168	0.48/0.77	55/56	630
KA1523HA3/H.T.R.100/Mg	1523HA3BML	Ball	380/400	50/60	0.19/0.16	45/36	2300/2500	140/168	0.48/0.77	55/56	630

H.T.R.100°C (SGS Approval) (F Class Enamelled Wire Inside)
Test Report No.:SHRLN0027-2/2008

KAKU®

AC FANS 交流軸流風機系列

PART-1.1

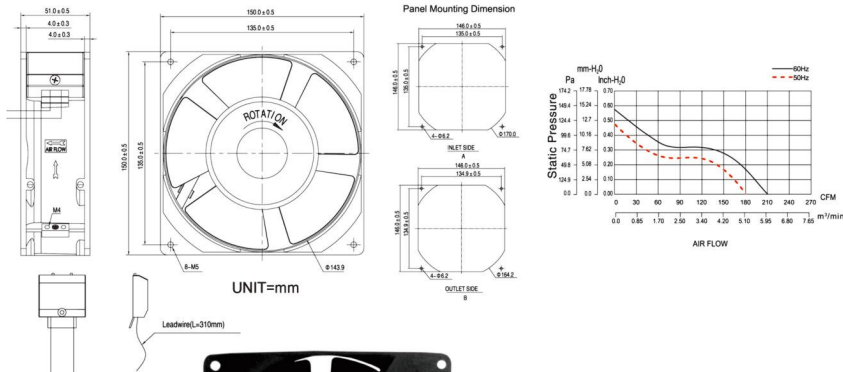
KAKU

KAI 525 H.T.R. SERIES

150×150×51mm H.T.R. (耐高溫)

KAI 525 H.T.R. SERIES
H.T.R. (耐高溫)

40



專為100°C環境溫度下設計 Special design for environmental of 100°C

型號 Model	Part No. Terminal Leadwire	軸承類別 Bearing System	電壓 Rated Voltage(V)	頻率 Freq (Hz)	電流 Current (A)	功率 Input Power(W)	轉速 Speed (rpm)	風量 Air Flow (CFM)	靜壓 Static Pressure (Inch-H ₂ O)	噪音值 Noise Level(dB-A)	重量 Weight (g)
KA1525HA1/H.T.R.100(IP55)Mg	1525HA1BML	Ball	110/120	50/60	0.40/0.35	31/28	2700/3100	180/210	0.48/0.58	56/58	890
KA1525HA2/H.T.R.100(IP55)Mg	1525HA2BML	Ball	220/240	50/60	0.20/0.17	30/28	2700/3100	180/210	0.48/0.58	56/58	890
KA1525HA3/H.T.R.100(IP55)Mg	1525HA3BML	Ball	380/400	50/60	0.130/0.11	32/29	2700/3100	180/210	0.48/0.58	56/58	890

H.T.R.100°C (SGS Approval) (F Class Enamelled Wire Inside)
Test Report No.:SHRL80027-2/2008

KAKU

www.shkaku.com 最新數據資訊，請于網上查詢！Please check our website in case any update information.

KAI723 H.T.R. SERIES

H.T.R. (耐高溫) 172×152×38mm



KAI723 H.T.R. SERIES
H.T.R. (耐高溫)

41

專為100°C環境溫度下設計 Special design for environmental of 100°C

型號 Model	Part No. Terminal Leadwire	軸承類別 Bearing System	電壓 Rated Voltage(V)	頻率 Freq (Hz)	電流 Current (A)	功率 Input Power(W)	轉速 Speed (rpm)	風量 Air Flow (CFM)	靜壓 Static Pressure (inch-H ₂ O)	噪音值 Noise Level(dB-A)	重量 Weight (g)
KA1723HA1/H.T.R.100(IP55)/Mg	1723HA1BML	Ball	110/120	50/60	0.45/0.37	43/34	2300/2500	140/168	0.48/0.77	55/56	630
KA1723HA2/H.T.R.100(IP55)/Mg	1723HA2BML	Ball	220/240	50/60	0.27/0.22	44/35	2300/2500	140/168	0.48/0.77	55/56	630
KA1723HA3/H.T.R.100(IP55)/Mg	1723HA3BML	Ball	380/400	50/60	0.19/0.16	45/36	2300/2500	140/168	0.48/0.77	55/56	630

H.T.R.100°C (SGS Approval) (F Class Enamelled Wire Inside)
Test Report No.:SHRLN0027-2/2008

AC FANS 交流軸流風機系列

PART-1.1

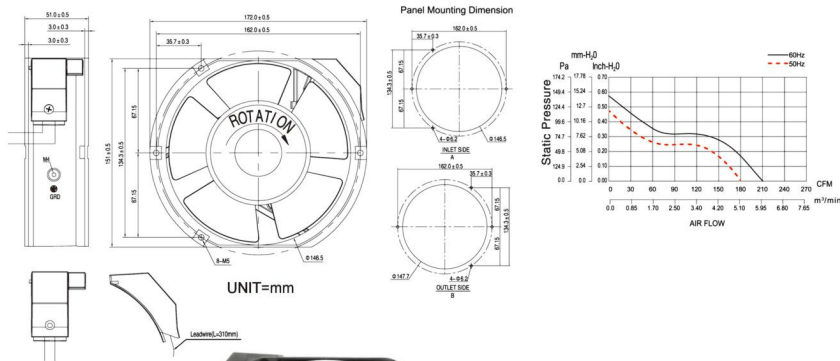
KAKU®

KAI 725 H.T.R. SERIES

172×150×51mm H.T.R. (耐高溫)

KAI 725 H.T.R. SERIES
H.T.R. (耐高溫)

42



專為100°C環境溫度下設計 Special design for environmental of 100°C

型號 Model	Part No. Terminal Leadwire	軸承類別 Bearing System	電壓 Rated Voltage(V)	頻率 Freq (Hz)	電流 Current (A)	功率 Input Power(W)	轉速 Speed (rpm)	風量 Air Flow (CFM)	靜壓 Static Pressure (in-H ₂ O)	噪音值 Noise Level(dB-A)	重量 Weight (g)
KA1725HA1/H.T.R.100(IP55)Mg	1725HA1BML	Ball	110/120	50/60	0.40/0.35	31/28	2700/3100	180/210	0.48/0.58	56/58	850
KA1725HA2/H.T.R.100(IP55)Mg	1725HA2BML	Ball	220/240	50/60	0.20/0.17	30/28	2700/3100	180/210	0.48/0.58	56/58	850
KA1725HA3/H.T.R.100(IP55)Mg	1725HA3BML	Ball	380/400	50/60	0.130/0.11	32/29	2700/3100	180/210	0.48/0.58	56/58	850

H.T.R.100°C (SGS Approval) (F Class Enamelled Wire Inside)
Test Report No.:SHR.L80027-2/2008

KAKU

www.shkaku.com 最新數據資訊，請于網上查詢！Please check our website in case any update information.

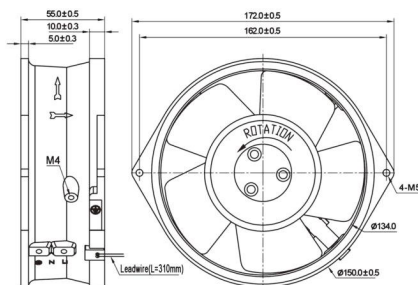
KAKU

PART-1.1

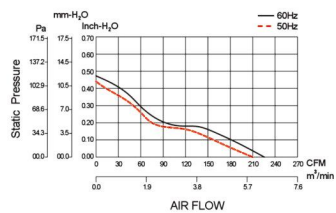
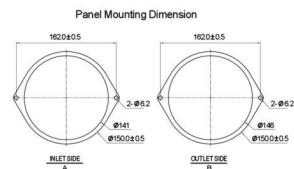
AC FANS 交流軸流風機系列

KAI 725/5 B H.T.R. SERIES

H.T.R. (耐高溫) **72 × 150 × 55mm**



UNIT=mm



專為100°C環境溫度下設計 Special design for environmental of 100°C

型號 Model	Part No. Terminal Leadwire	軸承類別 Bearing System	電壓 Rated Voltage(V)	頻率 Freq (Hz)	電流 Current (A)	功率 Input Power(W)	轉速 Speed (rpm)	風量 Air Flow (CFM)	靜壓 Static Pressure (inch-H ₂ O)	噪音值 Noise Level(dB-A)	重量 Weight (g)
KA1725/5B/HA1H.T.R.100(IP55)/Mg	1725/5B/HA1BML	Ball	110/120	50/60	0.48/0.44	45/42	2600/2900	210/230	0.45/0.47	58/60	980
KA1725/5B/HA2H.T.R.100(IP55)/Mg	1725/5B/HA2BML	Ball	220/240	50/60	0.28/0.25	45/42	2600/2900	210/230	0.45/0.47	58/60	980
KA1725/5B/HA3H.T.R.100(IP55)/Mg	1725/5B/HA3BML	Ball	380/400	50/60	0.20/0.18	46/43	2600/2900	210/230	0.45/0.47	58/60	980

H.T.R.100°C (SCS Approval) (F Class Enamelled Wire Inside)
Test Report No.:SHRL80027-2/2008

KAI 725/5 B H.T.R. SERIES
H.T.R. (耐高溫)

43

KAKU

AC FANS 交流軸流風機系列

PART-1.1

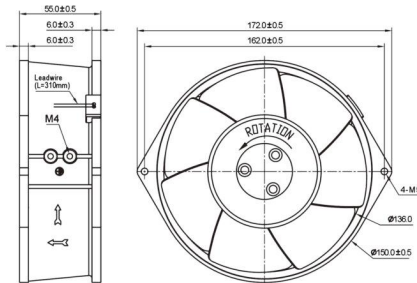
KAKU

KAI 725/5 H.T.R. SERIES

172×150×55mm H.T.R. (耐高溫)

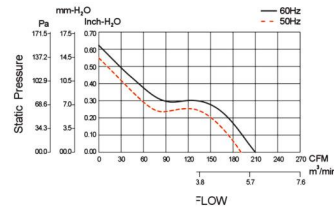
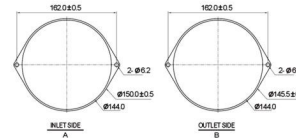
KAI 725/5 H.T.R. SERIES
H.T.R. (耐高溫)

44



UNIT=mm

Panel Mounting Dimension



new



IP55

專為100°C環境溫度下設計 Special design for environmental of 100°C

型號 Model	Part No. Terminal Leadwire	軸承類別 Bearing System	電壓 Rated Voltage(V)	頻率 Freq (Hz)	電流 Current (A)	功率 Input Power(W)	轉速 Speed (rpm)	風量 Air Flow (CFM)	靜壓 Static Pressure (mm-H ₂ O)	噪音值 Noise Level(dBA)	重量 Weight (g)
KA1725/5[C]HA1.H.T.R.100(IP55)/Mg	1725/5[C]HA1BML	Ball	110/120	50/60	0.48/0.44	45/42	2600/2900	190/210	0.55/0.62	55/58	960
KA1725/5[C]HA2.H.T.R.100(IP55)/Mg	1725/5[C]HA2BML	Ball	220/240	50/60	0.28/0.25	45/42	2600/2900	190/210	0.55/0.62	55/58	960
KA1725/5[C]HA3.H.T.R.100(IP55)/Mg	1725/5[C]HA3BML	Ball	380/400	50/60	0.20/0.18	46/43	2600/2900	190/210	0.55/0.62	55/58	960

H.T.R.100°C (SGS Approval) (F Class Enamelled Wire Inside)
Test Report No.:SHRL80027-2/2008

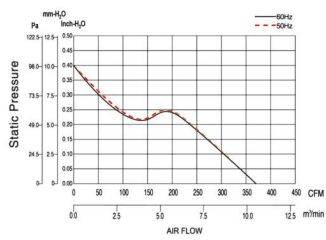
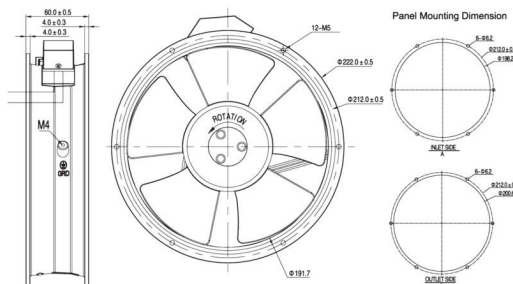
KAKU

www.shkaku.com 最新數據資訊，請于網上查詢！Please check our website in case any update information.

KA2206 H.T.R. SERIES

H.T.R. (耐高溫)

ø222 × 60mm



KA2206 H.T.R. SERIES
H.T.R. (耐高溫)

45

專為100°C環境溫度下設計 Special design for environmental of 100°C

型號 Model	Part No. Terminal Leadwire	軸承類別 Bearing System	電壓 Rated Voltage(V)	頻率 Freq (Hz)	電流 Current (A)	功率 Input Power(W)	轉速 Speed (rpm)	風量 Air Flow (CFM)	靜壓 Static Pressure (inch-H ₂ O)	噪音值 Noise Level(dB-A)	重量 Weight (g)
KA2206HA1/H.T.R.100(IP55)/Mg(50HZ)	2206HA1BML(50HZ)	Ball	110/120	50	0.78	53	2500	360	0.4	59	1310
KA2206HA2/H.T.R.100(IP55)/Mg(50HZ)	2206HA2BML(50HZ)	Ball	220/240	50	0.29	53	2500	360	0.4	59	1310
KA2206HA3/H.T.R.100(IP55)/Mg(50HZ)	2206HA3BML(50HZ)	Ball	380/400	50	0.15	53	2500	360	0.4	59	1310
KA2206HA1/H.T.R.100(IP55)/Mg(60HZ)	2206HA1BML(60HZ)	Ball	110/120	60	0.92	71	2500	360	0.4	59	1310
KA2206HA2/H.T.R.100(IP55)/Mg(60HZ)	2206HA2BML(60HZ)	Ball	220/240	60	0.45	71	2500	360	0.4	59	1310
KA2206HA3/H.T.R.100(IP55)/Mg(60HZ)	2206HA3BML(60HZ)	Ball	380/400	60	0.24	71	2500	360	0.4	59	1310

H.T.R.100°C (SGS Approval) (F Class Enamelled Wire Inside)
Test Report No..SHRL80027-2/2008

AC FANS 交流軸流風機系列

PART-1.1

KAKU

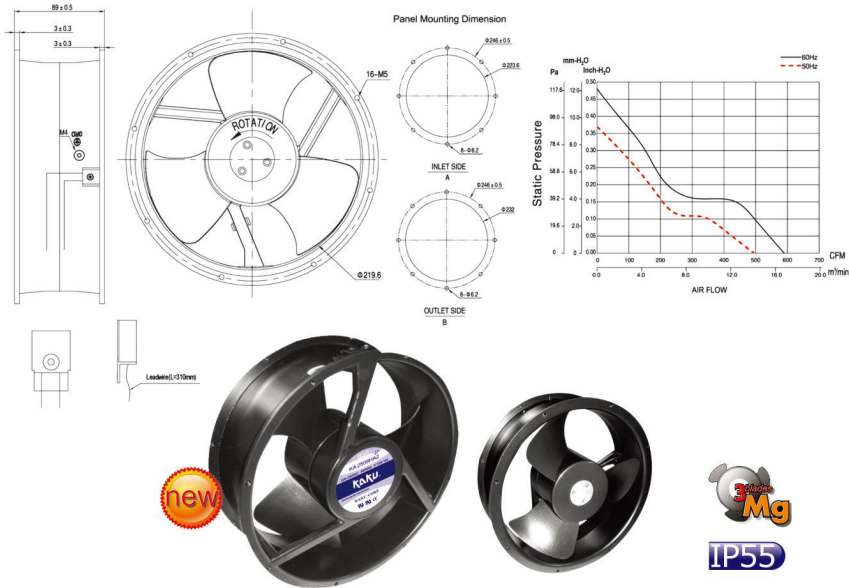
KA2509 H.T.R. SERIES

Ø254 × 89mm

H.T.R. (耐高溫)

KA2509 H.T.R. SERIES
H.T.R. (耐高溫)

46



專為100°C環境溫度下設計 Special design for environmental of 100°C

型號 Model	Part No. Terminal Leadwire	軸承類別 Bearing System	電壓 Rated Voltage(V)	頻率 Freq (Hz)	電流 Current (A)	功率 Input Power(W)	轉速 Speed (rpm)	風量 Air Flow (CFM)	靜壓 Static Pressure (inch-H ₂ O)	噪音值 Noise Level(dB-A)	重量 Weight (g)
KA2509HA1/H.T.R.100(IP55)Mg	2509HA1BML	Ball	110/120	50/60	0.65/0.60	43/44	1400/1700	495/589	0.37/0.48	53/56	1680
KA2509HA2/H.T.R.100(IP55)Mg	2509HA2BML	Ball	220/240	50/60	0.31/0.29	43/44	1400/1700	495/589	0.37/0.48	53/56	1680
KA2509HA3/H.T.R.100(IP55)Mg	2509HA3BML	Ball	380/400	50/60	0.20/0.18	43/44	1400/1700	495/589	0.37/0.48	53/56	1680

H.T.R.100°C (SGS Approval) (F Class Enamelled Wire Inside)
Test Report No.:SHRL89027-2/2008

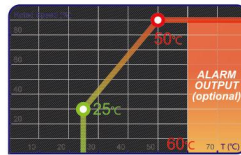
KAKU

www.shkaku.com 最新數據資訊，請于網上查詢！Please check our website in case any update information.

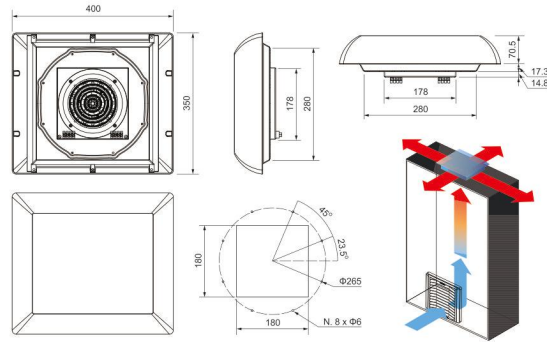
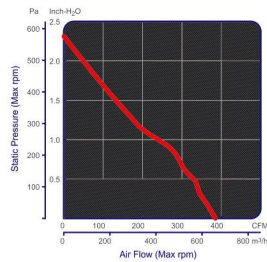
Roof Mount Ventilating Filter

RF-190

400×350×87.8mm



曲線圖 Performance



RoHS REACH

Roof Mount Ventilating Filter
RF-190

47

參數表 Specification

特性	Features	單位 Unit	RF-EC190							
風機風量	Fan air flow rate	m ³ /h (CFM)	656 (386)							
應用單元風量	Fan + Tower air flow rate	m ³ /h (CFM)	591 (348)							
穩定電壓	Rated voltage	V	24VDC 148VDC 110VDC 115VAC 230VAC							
額定參數	溫度	Temperature	°C	~25	25	30	35	40	45	>50
	功率	Power	W	Off	8	35	50	65	80	95
轉速	Rated speed	rpm	Off	1160	2350	2600	2850	3000	3190	
外形尺寸	Dimensions H x W x D	mm	400 x 350 x 116							
保護方式	Over current protection	-	By I _c							
電氣連接方式	Electrical connection	-	Terminal							
運轉模式	Duty cycle	-	100%							
特殊功能 (選配)	Specific function (optional)	-	FG/RO PWM/ 0-10V							
工作溫度	Operating temperature	°C	-20~+60							
防護等級	Protection grade	-	IP44							
噪音值	Noise level	dB(A)	0~78							
RF190-bxFU9806	RF190-bxFU9806 capacity	m ³ /h (CFM)	544 (320)							
空氣流向	Direction of the air flow	-	Inside → outside							
軸承系統	Bearing system	-	bearings							
警報輸出 (選配)	Alarm output (optional)	-	>60°C 無源觸點 (常閉)							
材質	Material	-	Mg							
產品淨重/毛重	Weight (N.W. / G.W.)	Kg	4.0 / 4.5							
外包裝尺寸	Package dimensions HxWxD	mm	459 x 405 x 136							
符合標準	Conformity	-	CE							
顏色	Colour	-	RAL7035							

Roof Mount Ventilating Filter

400×350×87.8mm RF-220

Roof Mount Ventilating Filter
RF-220

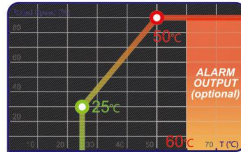
48



Bottom

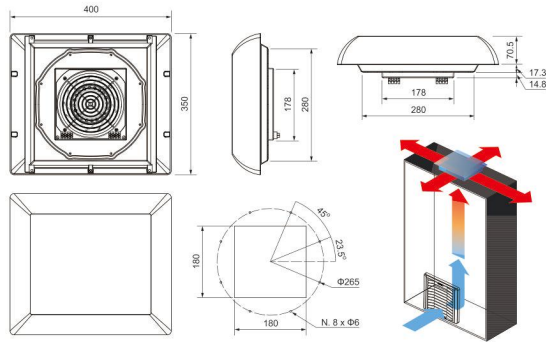
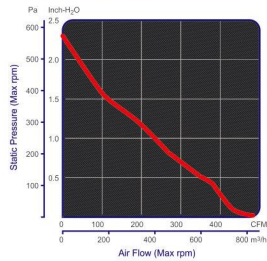


Internal decomposition



Speed-Temperature

曲線圖 Performance



RoHS REACH

參數表 Specification

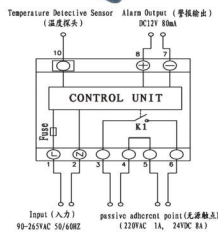
特性	Features	單位 Unit	RF-EC220
風機風量	Fan air flow rate	m ³ /h (CFM)	816 (480)
整用單元風量	Fan + Tower air flow rate	m ³ /h (CFM)	739 (435)
額定電壓	Rated voltage	V	24VDC \ 48VDC \ 110VDC \ 115VAC \ 230VAC
額定參數	溫度 Temperature	°C	<25 25 30 35 40 45 >50
	功率 Power	W	Off 9 42 57 70 88 102
Nominal parameter	轉速 Roted speed	rpm	Off 1050 2170 2420 2600 2800 2960
	外形尺寸	Dimensions H x W x D	mm 400 x 350 x 118
保護方式	Over current protection	-	By IC
電氣連接方式	Electrical connection	-	Terminal
運轉模式	Duty cycle	-	100%
特殊功能(選配)	Specific function (optional)	-	FGIRD PWM/ 0~10V
工作溫度	Operating temperature	°C	-20~+60
防護等級	Protection grade	-	IP44
噪音值	Noise level	dB(A)	0~79
RF190+6xFU9806	RF190+6xFU9806 capacity	m ³ /h (CFM)	680 (400)
空氣流向	Direction of the air flow	-	Inside → Outside
軸承系統	Bearing system	-	bearings
警報輸出(選配)	Alarm output (optional)	-	>60°C 無源觸點(常開)
材質	Material	-	Mg
產品淨重/毛重	Weight (N.W. / G.W.)	Kg	4.0 / 4.5
外包裝尺寸	Package dimensions HxWxD	mm	459 x 405 x 136
符合標準	Conformity	-	CE
顏色	Colour	-	RAL7035

www.shkaku.com 最新數據資訊，請于網上查詢！Please check our website in case any update information.

Temperature controller



TC-001



主要功能 Features & Benefits

- 即時了解盤內溫度
Awareness of the panel temperature instantly
- 節能降耗
Low power consumption
- 減少軸承損耗, 延長風機使用壽命
Decrease the consumption of the bearing and prolong the life-span of the fan
- 減少侵入盤內之灰塵
Minimize the dust may go into the panel
- 延長通風過濾網之壽命
Prolong the life-span of the ventilation filter units
- 減少維護之人工
Minimize the process of maintenance cycle
- 警報溫度值的設定可有效防止盤內溫升過高造成其他元器件之故障
The setting of alarm value can prevent the malfunction of other components due to the high temperature of the panel

盤內溫度檢知以控制冷卻風扇之ON/OFF, 以達省電節能之目的。

KAKU風機溫度控制器是卡固公司經過一年多自主研發, 生產的高科技產品。它可以根據環境溫度的變化通過智能感溫探頭自動控制製風機的啓動與停止。產品可以設定警報溫度值, 當環境溫度過高發出警報, 減少因溫度而產生的隱患。該溫控器穩定性好, 可靠性高, 使用壽命長, 芯片精度高, 抗干擾性強。風機可以在用戶設定的溫度範圍內可靠的自動運行, 既方便使用又節能降耗, 可為您帶來顯著的經濟效益。

Control the ON/OFF of the fan by temperature detecting inside the panel and in that case can save more energy. This fan using temperature controller is another high-tech product manufactured by KAKU which undergoes more than one year of independent research. It can well control the ON/OFF of the fan according to the environmental temperature changing via the intelligence temperature detective sensor. It can also set the alarm value and give out warning signal when panel temperature goes high-precision chip and strong due to the high temperature. This product has good stability, high reliability, long service life, high-precision chip and strong anti-jamming ability. The fan can run smoothly and automatically at the setting range of the temperature bring you th significant economic benefits.

技術參數 Technical Parameters

型號 Model	TC-001
電壓 Rated Voltage(V)	90~264VAC 50/60Hz
輸出 Output	負載 Load 220VAC, 1A (Max.) 24VDC, 8A (Max.) 警報 Alarm 12.0±1.0VDC 80mA (Max.)
工作溫度範圍 Operating Temperature Range	-9°C~85°C
開關溫度設定 Temperature Setting Value	-9°C~99°C
警報溫度設定 Alarm Setting Range Value	-9°C~99°C
觸點類型 Contact Type	雙向觸點 (繼電器) 2-way contact (relay)
最大轉換功率 Max. Commutation Power	240W
精度誤差範圍 Precision Range	±2°C
接線方式 Mode Of Connection	接線式端子 (採用線徑0.75mm ² ~1.2mm ²) Cable type of terminal (adopt wire diameter 0.75mm ² ~1.2mm ²)
顏色 Color	RAL9005
顯示器 Display	LED
防護等級 IP Grade	IP20
儲存溫度 Storage Temperature	-30°C~85°C
可開關次數 Life-span	> 100000 Times
安裝方式 Install	依據EN60715固定爪卡在35mm導軌上或M5螺絲板式連接 Mounting on the 35mm Din rail according to EN60715 or mounting with M5 bolt directly
認證 Certification	RoHs; UL, CE & CCC are bing applied (認證中)
重量 Weight	110g

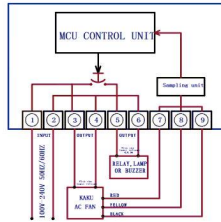
Fan Decoder

45 × 65 × 29 mm

TC-002



TC-002



主要功能 Features & Benefits

- 有效監控風機的運行狀態
Effectively monitor the running state of fan
- 當轉速低於設定值時，第一時間發出警報
Alarm at the first time when the fan speed lower than the set volume
- 減少柜內維護之人工
Reduce the maintenance of the cabinet
- 防止因風機故障導致櫃內溫升過高造成其它元器件的故障
Prevent the excessively high temperature and the components failure due to the malfunction of the fan.

解碼盒是卡固公司自主研发，生产的高科技产品。通过对装有霍尔元件的特制风电机进行频率监测，解码盒可以有效读取风机的转速讯号，并且对转速作出判断并且反馈出讯号。该讯号可以驱动声光报警器，从而让使用者达到相对安全的环境温度，避免因风机异物堵住或者转速偏低造成柜内元器件失效而造成的损失。

KAKU fan decoder undergoes more than one year independent research, which can monitor the frequency of the fan. Thus, it can get the speed signal and give the feedback if the fan speed under the minimum volume. Through the audible or visual alarm given by the signal of the fan decoder, can make sure a safety panel environment and avoid the loss of the components and parts.

技術參數 Technical Parameters

型號	Model	TC-002
電壓	Rated Voltage(V)	90~264VAC 50/60Hz
輸出 Output	警報 Alarm	220VAC, 0.5A (Max.) 24VDC, 1A (Max.)
工作溫度範圍	Operating Temperature Range	-10°C~65°C
警報轉速設定	Temperature Setting Value	1800 RPM (可依客戶定製)
精度誤差範圍	Precision Range	±20 RPM
接線方式	Mode Of Connection	接線式端子 (採用線徑0.2~0.5mm ¹) Cable type of terminal (adopt wire diameter 0.2~0.5mm ¹)
顏色	Color	RAL9005
防護等級	IP Grade	IP20
儲存溫度	Storage Temperature	-30°C~85°C
可開關次數	Life-span	> 100000 Times
安裝方式	Install	依據EN60715固定爪卡在35mm導軌上或M5螺絲板式連接 Mounting on the 35mm Din rail according to En60715 or mounting with M5 bolt directly
認證	Certification	RoHS, UL, CE & CCC are bing applied (認證中)
重量	Weight	60g